



ICC-ES Evaluation Report

ESR-1360

Reissued August 2023

This report is subject to renewal August 2024.

DIVISION: 07 00 00—THERMAL AND MOISTURE PROTECTION

Section: 07 31 16—Metal Shingles

Section: 07 32 19—Metal Roof Tiles

Section: 07 41 13—Metal Roof Panels

REPORT HOLDER:

ISAIAH INDUSTRIES, INC.

EVALUATION SUBJECT:

RUSTIC SHINGLE, COUNTRY MANOR SHAKE, OXFORD SHINGLE, GREAT AMERICAN SHAKE AND GRANDE TILE ALUMINUM ROOF PANELS AND KASSELWOOD SHINGLE, KASSEL SHAKE AND CENTURA SHINGLE STEEL ROOF PANELS

1.0 EVALUATION SCOPE

1.1 Compliance with the following codes:

- 2018, 2015, 2012, 2009 and 2006 *International Building Code*® (IBC)
- 2018, 2015, 2012, 2009 and 2006 *International Residential Code*® (IRC)

Properties evaluated:

- Fire classification
- Wind uplift resistance
- Weather resistance

1.2 Evaluation to the following green code:

- 2022 California Green Building Standards Code (CALGreen), Title 24, Part 11

Attributes verified:

- See Section 3.1

2.0 USES

Isaiah Industries, Inc. Rustic Shingle, Country Manor Shake, Oxford Shingle, and Great American Shake and Grande Tile are aluminum roof panels or shingles and KasselWood Shingle, KasselShake and Centura Shingle are steel roof panels or shingles intended for installation as metal roof shingles in accordance with IBC Section 1507.5 and IRC Section R905.4. The panels and shingles are used as roof coverings for new and existing roofs and have Class A, B or C roof covering classifications as noted in Sections 4.1 and 4.2.

3.0 DESCRIPTION

3.1 General:

The Rustic Shingle, Country Manor Shake and Great American Shake panels are press-formed from 0.019-inch-thick (0.48 mm), 3105 alloy, H26 temper, aluminum sheets complying with ASTM B209. The Oxford Shingle panels are press-formed from 0.024-inch-thick (0.61 mm), 3105 alloy, H27 temper, aluminum sheets complying with ASTM B209. The Grande Tile panels are press-formed from 0.030-inch-thick (0.76 mm), 3105 alloy, H24 temper, aluminum sheets complying with ASTM B209. Accessories are press-formed from minimum 0.019-inch-thick (0.48 mm), 3105 alloy, H26 temper, aluminum sheets complying with ASTM B209. Only accessories designed for use with these products are permitted. Each panel and shingle is formed with flanges on all sides to provide a water channel and a positive interlock with adjoining panels. The exposed side of the panel is coated with a 0.0002-inch-thick (0.005 mm) corrosion-inhibiting primer and covered with a 0.0008-inch-thick (0.02 mm) finish coating of PVDF (polyvinylidene fluoride). The back side of the panel is covered with a wash coat. See Figure 1 for panel profiles.

The KasselWood Shingle and Centura Shingle panels are press-formed from No. 29 gage [0.0142-inch (0.36 mm)] G90 galvanized steel sheets. The KasselShake panels are press-formed from No. 28 [0.0165-inch (0.42 mm)] G90 galvanized steel sheets. KasselWood Shake accessories are press-formed from minimum 0.0165-inch-thick (0.42 mm), G90 galvanized sheet steel. Each shingle is formed with flanges on all sides to provide a positive interlock with adjoining shingles. The exposed side of the shingles is coated with a 0.0002-inch-thick (0.005 mm) corrosion-inhibiting primer and covered with a 0.0008-inch-thick (0.02 mm) finish coating of PVDF (polyvinylidene fluoride). The back side of the shingles are covered with a wash coat. See Figure 1 for shingle profiles.

The attributes of the metal roofing panels have been verified as conforming to the provisions of CALGreen Section A5.406.1.2 for reduced maintenance. Note that decisions on compliance for those areas rest with the user of this report. The user is advised of the project-specific provisions that may be contingent upon meeting specific conditions, and the verification of those conditions is outside the scope of this report. These codes or standards often provide supplemental information as guidance.

3.2 Rustic Shingle:

The Rustic Shingle has a nominal width of 12.8 inches (325 mm) and a nominal length of 24.9 inches (632 mm).

Each Rustic Shingle weighs 0.88 pound (0.40 kg), and has an installed weight of 0.44 pound per square foot (2.15 kg/m²). Each shingle has four simulated shake patterns with an approximate butt thickness of 1¹/₈ inches (28.5 mm).

3.3 Country Manor Shake:

The Country Manor Shake panels have a nominal width of 14.6 inches (371 mm) and a nominal length of 48.4 inches (1229 mm). Each Country Manor Shake panel weighs 1.88 pounds (0.85 kg), and has an installed weight of 0.47 pound per square foot (2.29 kg/m²). Each panel has eight simulated shake patterns of variable butt thicknesses ranging from 3³/₈ inch (9.5 mm) to 1¹/₈ inches (28.5 mm).

3.4 Oxford Shingle:

The Oxford shingle panels have a nominal width of 12.8 inches (325 mm) and a nominal length of 60.6 inches (1539 mm). Each Oxford Shingle panel weighs 2.1 pounds (0.95 kg), and has an installed weight of 0.42 pound per square foot (2.05 kg/m²). Each panel has eight simulated shingle patterns with an approximate butt thickness of 3³/₈ inch (9.5 mm).

3.5 Great American Shake: The Great American Shake is identical to the Rustic Shingle except for the 4009 nailing clip described in Section 3.10 and shown in Figure 1.

3.6 Grande Tile: The Grande Tile panels are available in single course, two course and custom length panels. The single course panel has a nominal width of 44.125 inches (1121 mm) and a nominal length of 19.313 inches (490.5 mm). The two course panel has a nominal width of 44.125 inches (1121 mm) and a nominal length of 33.188 inches (843 mm). The custom length panel has a nominal width of 44.125 inches (1121 mm) and various lengths. Each single course panel weighs 2.84 pounds (1.29 kg), and has an installed weight of 0.71 pounds per square foot (3.47 kg/m²). Each two course panel weighs 4.92 pounds (2.24 kg), and has an installed weight of 0.63 pounds per square foot (3.07 kg/m²). Each custom length panel has an installed weight of approximately 0.62 pounds per square foot (3.03 kg/m²). Each course has six simulated tile patterns with an approximate tile width of 6.89 inches (175 mm).

3.7 KasselWood Shingle: The KasselWood Shingle has a nominal width of 9.313 inches (237 mm) and a nominal length of 41.688 inches (1059 mm). Each KasselWood Shingle weighs 2.09 pounds (0.95 kg), and has an installed weight of 0.86 pounds per square foot (4.20 kg/m²). Each shingle has seven simulated shingle patterns with an approximate butt thickness of 0.75 inches (19.1 mm). Each shingle has four integral attachment tabs.

3.8 Centura Shingle: The Centura Shingle has a nominal width of 14.2 inches (361 mm) and a nominal length of 39.5 inches (1003 mm). Each Centura Shingle weighs 2.53 pounds (1.15 kg), and has an installed weight of 0.76 pounds per square foot (3.71 kg/m²). Each shingle has eight simulated shingle patterns with an approximate butt thickness of 0.40 inches (10.2 mm). The shingle has a nailing hem running the full length at the top of the shingle.

3.9 KasselShake: The KasselShake has a nominal width of 12.69 inches (322 mm) and a nominal length of 48.5 inches (1232 mm). Each KasselShake weighs 4.0 pounds (1.82 kg), and has an installed weight of 1.00 pound per square foot (4.88 kg/m²). Each shingle has seven simulated shake patterns with an approximate butt thickness of 1.375 inches (35.0 mm). KasselShake panels are attached using 5028 nailing clips.

3.10 Nailing Clips:

The C-209 and C-414 nailing clips are manufactured from 0.024-inch-thick (0.61 mm), 3105, H27 aluminum. The 4009 nailing clip is manufactured from 0.032-inch-thick (0.81 mm), 3105, H27 aluminum. The 5028 nailing clip is manufactured from 0.0165-inch-thick (0.42 mm) G90 galvanized sheet steel and covered with a 0.0008-inch-thick (0.02 mm) finish coating of PVDF (polyvinylidene fluoride). The C-209 nailing clip for the Oxford Shingle and Rustic Shingle is 1¹/₂ inches wide (38.1 mm) and 1¹/₂ inches long (38.1 mm). The C-414 extended nailing clip for the Oxford Shingle and Rustic Shingle is 1¹/₂ inches wide (38.1 mm) and 3.65 inches long (93 mm). The extended nailing clips are used when the metal roof panels or shingles are installed over wood shingle or wood shake roof covering. The 4009 nailing clip for the Great American Shake is 1¹/₂ inches wide (38.1 mm) and 2.1 inches long (53 mm). The 5028 nailing clip for the KasselShake is 2.8 inches wide (71 mm) and 7.25 inches long (184 mm). See Figure 1 for nailing clips.

3.11 Underlayment:

Underlayment must comply with ASTM D226 as a Type II, asphalt-saturated, organic felt except as noted in Sections 4.1.3 and 4.2.2 of this report.

4.0 INSTALLATION

4.1 New Roofing:

4.1.1 General: The panels and shingles must be installed over minimum 1⁵/₃₂-inch-thick (12.7 mm) plywood or solid sheathing complying with the applicable code. Underlayment, as described in Section 3.11, must be installed in accordance with 2018 IBC Sections 1507.1.1 and 1507.5.3, 2015, 2012, 2009 and 2006 IBC Section 1507.5.3, 2018 and 2015 IRC Sections R905.1.1 and R905.4.3, or 2012, 2009 and 2006 IRC Section R905.4.3, as applicable. The minimum roof slope is 3:12 (25 percent). Except for the Grande Tile, the panels and shingles are installed from the eave to the ridge and from left to right, with left-end cuts as required to stagger the vertical joints between successive courses and provide a random appearance. The Grande Tile is installed right to left without a random stagger pattern. See Figure 2 for additional installation details.

Each Rustic Shingle and Oxford Shingle panel must be fastened through aluminum nailing clips, described in Section 3.10, spaced 8 inches (203 mm) on center with 0.15-inch-diameter (3.8 mm) screw shank aluminum nails having a 7¹/₁₆-inch-diameter (11.1 mm) head. Each Country Manor Shake panel is fastened through the nailing hem 12 inches on center (305 mm) with 0.15-inch-diameter (3.8 mm) screw shank aluminum nails having 7¹/₁₆-inch-diameter (11 mm) heads. Each Great American Shake panel is fastened through aluminum nailing clips, described in Section 3.10, spaced 6 inches (152 mm) on center, with 3¹/₁₆-inch-diameter (4.8 mm), 1³/₄-inch-long (44.4 mm), aluminum ring shank nails having 7¹/₁₆-inch-diameter (11.1 mm) heads. The Grande Tile panels are attached with No. 9-15 stainless steel screws with 7¹/₁₆-inch-diameter (11.1 mm) stainless steel bonded seal washers. For vertical laps in the Grande Tile panels, 2.5 inch-long (63.5 mm) screws must be installed at every course at a maximum of 14 inches (356 mm) on center. For the field of the Grande Tile panels, 1.5 inch-long (38.1 mm) screws must be installed at every other valley of the tile at a maximum of 14 inches (356 mm) on center or at each valley of the tile at a maximum of 7 inches (178 mm) on center. The nails must be of adequate length to penetrate 1 inch (25.4 mm) into or through the sheathing, whichever is less. Nails attaching

panels near roof valleys must be spaced a minimum of 9 inches (229 mm) away from valley channel flashing in accordance with the manufacturer's instructions. For aluminum panels and shingles, valley flashing must be of minimum 0.024-inch-thick (0.61 mm) aluminum and must comply with and be installed in accordance with 2018, 2015, 2012 and 2009 IBC Section 1507.5.7 [2006 IBC Section 1507.5.6] or IRC Section R905.4.6. Other flashings must be in accordance with IBC Section 1503.2 or IRC Section R903.2. Where the aluminum is in contact with dissimilar metals, concrete, or masonry, the surfaces must be insulated with bituminous paint or mastic, or be separated by a single layer of underlayment.

Each Centura Shingle is attached through the nailing hem with six corrosion-resistant steel 0.125-inch (3.2 mm) ring shank diameter, 1.75-inch-long (44.5 mm) ring shank nails with 0.375-inch-diameter (9.5 mm) heads. Each KasselWood Shingle is attached through the integral nailing tabs with one corrosion-resistant No. 14-8 by 1-inch long (25.4 mm) hex washer head (HWH) lag screw per tab, or two 1.25-inch-long (32 mm) stainless steel (304) No. 11 ring shank nails with 0.120-inch (3.05 mm) shank diameter and $\frac{3}{8}$ -inch-diameter (9.5 mm) heads per tab, or two No. 10 [0.135-inch-diameter (3.43 mm) shank] by 1-inch-long (25.4 mm) low-profile clip stainless steel screws with 0.45-inch-diameter (11.4 mm) low-profile heads with a No. 1 square drive per tab. Each KasselShake shingle is attached with three steel 5028 nailing clips per shingle. Each 5028 clip is attached with three corrosion-resistant 0.125-inch shank diameter (3.2 mm), 1.75-inch-long (44.5 mm) ring shank nails with 0.375-inch-diameter (9.5 mm) heads. For steel panels and shingles, the valley flashing must be minimum No. 26 gage (not less than 0.019-inch-thick (0.483 mm) galvanized steel sheet and must be installed in accordance with 2018, 2015, 2012 and 2009 IBC Section 1507.5.7 [2006 IBC Section 1507.5.6] or IRC Section R905.4.6. Other flashings must be in accordance with IBC Section 1503.2 or IRC Section R903.2.

4.1.2 Ice Barrier: In areas where there has been a history of ice forming along the eaves causing a backup of water, an ice barrier must be installed in accordance with 2018 IBC Sections 1507.1.2 and 1507.5.4, 2015, 2012 and 2009 Section 1507.5.4, 2006 IBC Section 1507.5.3, 2018 and 2015 IRC Sections R905.1.2 and R905.4.3.1 or 2012, 2009 and 2006 IRC Section R905.4.3.1, as applicable.

4.1.3 Fire Classification:

4.1.3.1 Class C: The Rustic Shingle, Country Manor Shake, Oxford Shingle, and Great American Shake aluminum panels and shingles must be applied over one layer of asphalt-saturated organic felt underlayment complying with ASTM D226 as a Type II, installed with 2-inch (51 mm) head laps and 6-inch (152 mm) end laps.

4.1.3.2 Class B: The Rustic Shingle, Country Manor Shake, Oxford Shingle, and Great American Shake aluminum panels and shingles must be applied over a minimum of one layer of fiberglass mineral surface cap sheet complying with ASTM D3909, installed with 2-inch (51 mm) head laps and 6-inch (152 mm) end laps.

4.1.3.3 Class A: The Rustic Shingle, Country Manor Shake, Oxford Shingle, and Great American Shake aluminum panels and shingles must be applied over a minimum of two layers of fiberglass mineral surface cap sheet complying with ASTM D3909, installed with 2-inch (51 mm) head laps and 6-inch (152 mm) end laps.

4.1.3.4 Class A: The Grande Tile aluminum panels must be installed in accordance with ESR-2053 over a minimum

of two layers of GAF VersaShield® Fire-Resistant Roof Deck Protection.

4.1.3.5 Class B: The Grande Tile aluminum panels must be installed in accordance with ESR-2053 over a minimum of one layer of GAF VersaShield® Fire-Resistant Roof Deck Protection.

4.1.3.6 Class A: The KasselShake steel panels must be installed in accordance with ESR-2053 over a minimum of one layer of GAF VersaShield® Fire-Resistant Roof Deck Protection.

4.1.3.7 Class A: The KasselWood Shingle and Centura Shingle steel shingles must be installed in accordance with ESR-2053 over a minimum of one layer of GAF VersaShield® Fire-Resistant Roof Deck Protection and one layer of ASTM D226 Type II asphalt-saturated organic felt underlayment.

4.1.3.8 Class B: The KasselWood Shingle and Centura Shingle steel shingles must be installed in accordance with ESR-2053 over a minimum of one layer of GAF VersaShield® Fire-Resistant Roof Deck Protection.

4.2 Reroofing:

4.2.1 General: The existing roof must be inspected, and installation must be in accordance with the requirements of 2018 and 2015 IBC Section 1511, 2012, 2009 and 2006 IBC Section 1510, 2018 and 2015 IRC Section 1511 or 2012, 2009 and 2006 IRC Section R907, as applicable. The metal roof panels and shingles must not be installed over excessively deteriorated roofing, which must be removed and the panels and shingles installed as specified in Section 4.1 for new roofing applications. The metal roof panels and shingles may be installed over existing asphalt composition shingles, wood shingles or medium wood shakes installed on solid sheathing. Fasteners must be of sufficient length to penetrate 1 inch (25.4 mm) into or through the sheathing, whichever is less. The minimum roof slope must be 3:12 (25 percent). Existing ridge and hip caps must be removed, and existing roof material overhanging at the eaves must be cut flush with the fascia.

When installation is over wood shingle or wood shake roof coverings, the entire existing surface must be covered with gypsum sheathing, mineral fiber, glass fiber or other approved material securely fastened in place in accordance with 2018 and 2015 IBC Section 1511.4, 2012, 2009 and 2006 IBC Section 1510.4, 2018 and 2015 IRC Section R908.4 or 2012, 2009 and 2006 IRC Section R907.4.

4.2.2 Fire Classification:

4.2.2.1 Class C: The Rustic Shingle, Country Manor Shake, Oxford Shingle, and Great American Shake panels and shingles must be installed as described in Sections 4.1.3.1 and 4.2.1 for Class C, over the existing roof covering.

4.2.2.2 Class B: The Rustic Shingle, Country Manor Shake, Oxford Shingle, and Great American Shake panels and shingles must be installed the same as described in Sections 4.1.3.2 and 4.2.1 for Class B, over the existing roof covering.

4.3 Wind Resistance:

Rustic Shingle, Country Manor Shake and Oxford Shingle panels installed in accordance with this report are acceptable on any portion of a roof where the design wind pressures do not exceed 65 pounds per square foot (317 kg/m²).

Great American Shake shingles installed in accordance with this report are acceptable on any portion of a roof where the design wind pressures do not exceed 56 pounds per square foot (273 kg/m²).

Grande Tiles must be attached through the tile with No. 9-15 stainless steel screws with ⁷/₁₆-inch-diameter (11.1 mm) stainless steel bonded seal washers. For vertical laps in the Grande Tile panels, 2.5 inch-long (63.5 mm) screws must be installed at every course at a maximum of 14 inches (356 mm) on center. For the field of the Grande Tile panels, 1.5 inch-long (38.1 mm) screws must be installed at every other valley of the tile at a maximum of 14 inches (356 mm) on center. When installed in accordance with these fasteners spacings, the Grande Tile panels are acceptable on any portion of a roof where the design wind pressures do not exceed 66.1 pounds per square foot (322.6 kg/m²).

Grande Tiles must be attached through the tile with No. 9-15 stainless steel screws with ⁷/₁₆-inch-diameter (11.1 mm) stainless steel bonded seal washers. For vertical laps in the Grande Tile panels, 2.5 inch-long (63.5 mm) screws must be installed at every course at a maximum of 14 inches (356 mm) on center. For the field of the Grande Tile panels, 1.5 inch-long (38.1 mm) screws must be installed at every valley of the tile at a maximum of 7 inches (178 mm) on center. When installed in accordance with these fasteners spacings, the Grande Tile panels are acceptable on any portion of a roof where the design wind pressures do not exceed 93.7 pounds per square foot (457.0 kg/m²).

Centura Shingles, attached through the nailing hem with six aluminum 0.125-inch (3.2 mm) shank diameter, 1.75-inch-long (44.5 mm) ring shank nails with 0.375-inch-diameter (9.5 mm) heads in accordance with this report, are acceptable on any portion of a roof where the design wind pressures do not exceed 46.8 pounds per square foot (228.4 kg/m²).

KasselWood Shingles, installed with one corrosion-resistant No. 14-8 by 1-inch long (25.4 mm) hex washer head (HWH) lag screw per tab in accordance with this report, are acceptable on any portion of a roof where the design wind pressures do not exceed 161.4 pounds per square foot (787.6 kg/m²).

KasselWood Shingles, installed with two 1.25-inch-long (32 mm) No. 11 stainless steel (304) ring shank nails with 0.120-inch (3.05 mm) shank diameter and ³/₈-inch (9.5 mm) diameter heads per tab in accordance with this report, are acceptable on any portion of a roof where the design wind pressures do not exceed 61.8 pounds per square foot (301.6 kg/m²).

KasselWood Shingles, installed with two No. 10 [0.135-inch-diameter (3.43 mm) shank] by 1-inch-long (25.4 mm) low-profile clip stainless steel screws with 0.45-inch-diameter (11.4 mm) low-profile heads with a No. 1 square drive per tab in accordance with this report, are acceptable on any portion of a roof where the design wind pressures do not exceed 127.8 pounds per square foot (623.7 kg/m²).

KasselShake Shingles, installed with three steel 5028 nailing clips per shingle where each clip is attached with three corrosion-resistant 0.125-inch (3.2 mm) shank diameter, 1.75-inch-long (44.5 mm) ring shank nails with 0.375-inch-diameter (9.5 mm) heads in accordance with this report, are acceptable on any portion of a roof where the design wind pressures do not exceed 46.8 pounds per square foot (228.4 kg/m²).

The design wind pressure must be determined in accordance with IBC Section 1609.5.1 or IRC Section R301.2.1.

Positive (gravity) loads must be limited to the adequacy of the supporting structural framing and sheathing.

5.0 CONDITIONS OF USE

The Rustic Shingle, Country Manor Shake, Oxford Shingle and Great American Shake and Grande Tile aluminum roof panels and shingles and KasselWood Shingle, KasselShake and Centura Shingle steel roof panels and shingles described in this report comply with, or are suitable alternatives to what is specified in, those codes listed in Section 1.0 of this report, subject to the following conditions:

- 5.1 Products are manufactured, identified and installed in accordance with this report, the manufacturer's published installation instructions and the applicable code. In the event of a conflict between the manufacturer's installation instructions and this report, this report governs.
- 5.2 Only Isaiah Industries, Inc., roof shingle accessories and specified fasteners may be used in the installation of the roof covering systems.
- 5.3 Isaiah Industries, Inc., metal roof panels and shingles are manufactured in Piqua, Ohio under a quality control program with inspections by ICC-ES.

6.0 EVIDENCE SUBMITTED

Data in accordance with the ICC-ES Acceptance Criteria for Metal Roof Coverings (AC166), dated October 2012 (editorially revised January 2018).

7.0 IDENTIFICATION

- 7.1 Each carton of Isaiah Industries, Inc. aluminum or steel roofing panels and shingles is labeled with the Isaiah Industries, Inc. name and address, the model designation and the evaluation report number (ESR-1360). Each roofing panel is marked with the manufacturer's traceability code.
- 7.2 The report holder's contact information is the following:

ISAIAH INDUSTRIES, INC.
8510 INDUSTRY PARK DRIVE
PIQUA, OHIO 45356
(937) 773-9840
www.isaiahindustries.com

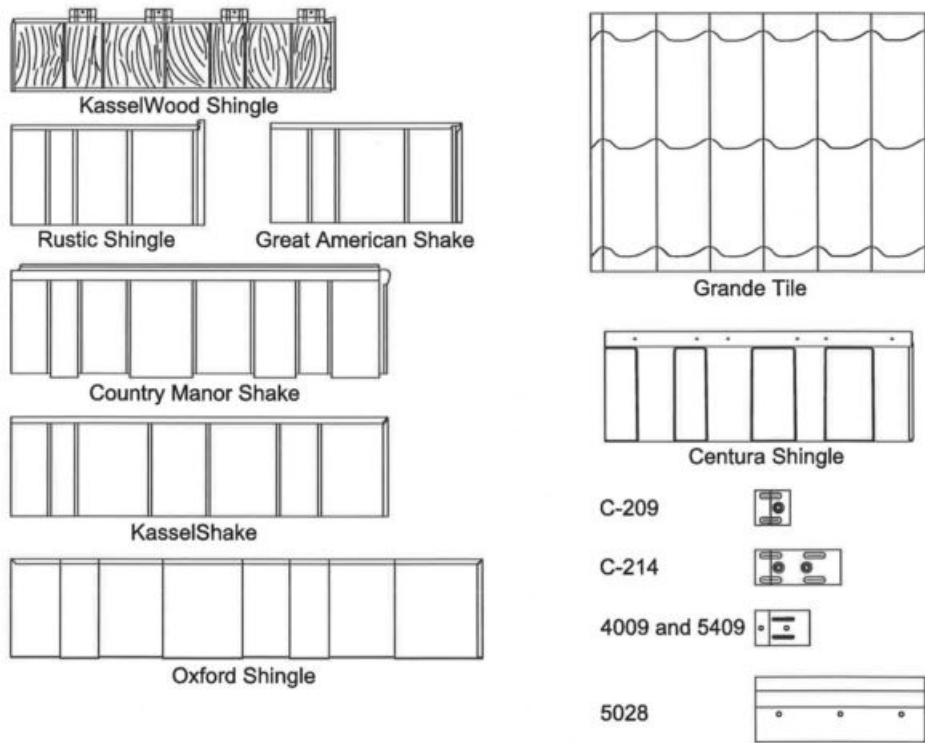


FIGURE 1—PROFILES OF PANELS, SHINGLES AND NAILING CLIPS

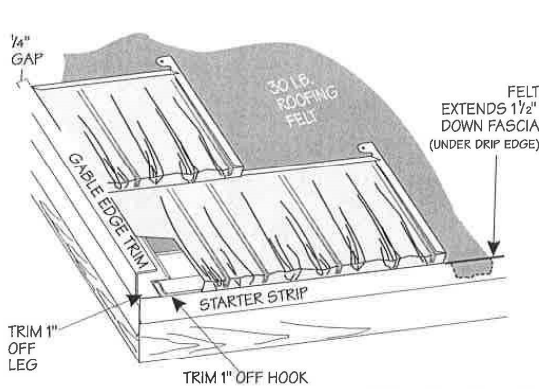


Illustration 1

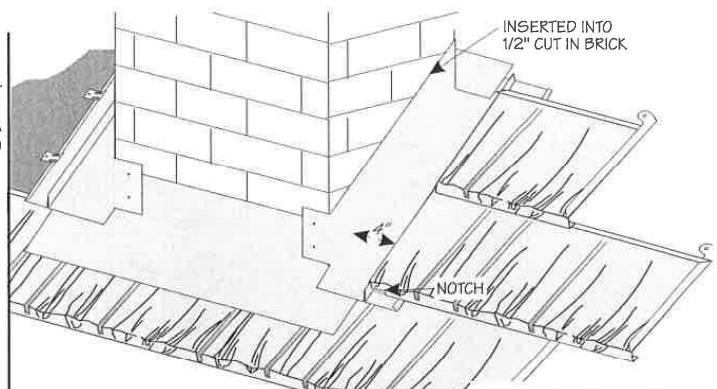


Illustration 2

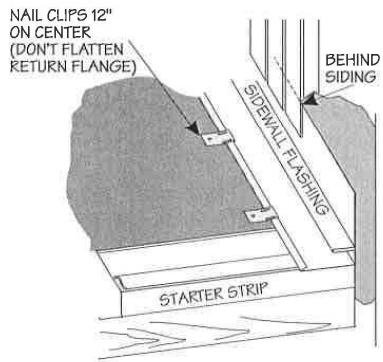


Illustration 3

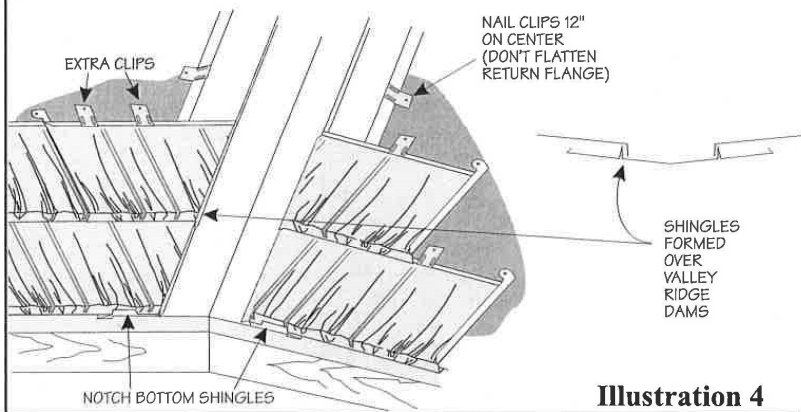


Illustration 4

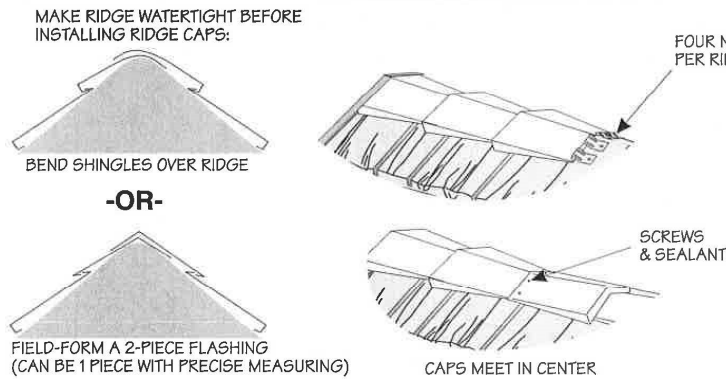


Illustration 5

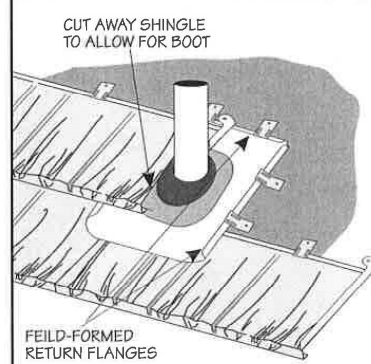


Illustration 6

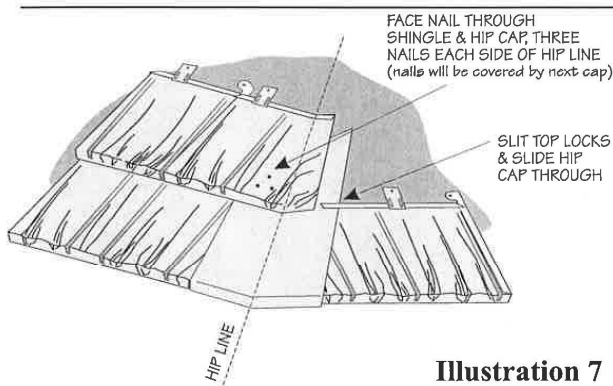
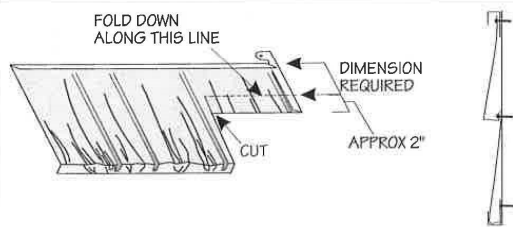


Illustration 7



CUT AND BEND SHINGLE INTO J-CHANNEL BELOW WHEN GOING ABOVE WINDOW OR DOOR

Illustration 8

FIGURE 2—TYPICAL INSTALLATION DETAILS

DIVISION: 07 00 00—THERMAL AND MOISTURE PROTECTION**Section: 07 31 16—Metal Shingles****Section: 07 32 19—Metal Roof Tiles****Section: 07 41 13—Metal Roof Panels****REPORT HOLDER:**

ISIAIH INDUSTRIES, INC.

EVALUATION SUBJECT:**RUSTIC SHINGLE, COUNTRY MANOR SHAKE, OXFORD SHINGLE, GREAT AMERICAN SHAKE AND GRANDE TILE ALUMINUM ROOF PANELS AND KASSELWOOD SHINGLE, KASSELSHAKE AND CENTURA SHINGLE STEEL ROOF PANELS****1.0 REPORT PURPOSE AND SCOPE****Purpose:**

The purpose of this evaluation report supplement is to indicate that Rustic Shingle, Country Manor Shake, Oxford Shingle, Great American Shake and Grande Tile Aluminum Roof Panels and Kasselwood Shingle, Kasselshake and Centura Shingle Steel Roof Panels, described in ICC-ES evaluation report ESR-1360, have also been evaluated for compliance with the codes noted below.

Applicable code editions:

- 2019 *California Building Code* (CBC)

For evaluation of applicable chapters adopted by the California Office of Statewide Health Planning and Development (OSHPD) AKA: California Department of Health Care Access and Information (HCAI) and the Division of State Architect (DSA), see Sections 2.1.1 and 2.1.2 below.

- 2019 *California Residential Code* (CRC)

2.0 CONCLUSIONS**2.1 CBC:**

The Rustic Shingle, Country Manor Shake, Oxford Shingle, Great American Shake and Grande Tile Aluminum Roof Panels and Kasselwood Shingle, Kasselshake and Centura Shingle Steel Roof Panels, described in Sections 2.0 through 7.0 of the evaluation report ESR-1360, comply with CBC Chapter 15, provided the design and installation are in accordance with the 2018 *International Building Code*® (IBC) provisions noted in the evaluation report and the additional requirements of CBC Section 1505.1.1 for a Class A roof covering, Section 1505.1.2 for a Class B roof covering or Section 1505.1.3 for a Class C roof covering, as applicable.

2.1.1 OSHPD:

The applicable OSHPD Sections and Chapters of the CBC are beyond the scope of this supplement.

2.1.2 DSA:

The applicable DSA Sections and Chapters of the CBC are beyond the scope of this supplement.

2.2 CRC:

The Rustic Shingle, Country Manor Shake, Oxford Shingle, Great American Shake and Grande Tile Aluminum Roof Panels and Kasselwood Shingle, Kasselshake and Centura Shingle Steel Roof Panels, described in Sections 2.0 through 7.0 of the evaluation report ESR-1360, comply with CRC Chapter 9, provided the design and installation are in accordance with the 2018 *International Residential Code*® (IRC) provisions noted in the evaluation report and the additional requirements of CRC Section R902.1.1 for a Class A roof covering, Section R902.1.2 for a Class B roof covering or Section R902.1.3 for a Class C roof covering and Section R905.10.

This supplement expires concurrently with the evaluation report, reissued August 2023.