



*Most Widely Accepted and Trusted*

# ICC-ES Evaluation Report

# ESR-2818

ICC-ES | (800) 423-6587 | (562) 699-0543 | [www.icc-es.org](http://www.icc-es.org)

Reissued 12/2017  
This report is subject to renewal 12/2018

**DIVISION: 03 00 00—CONCRETE**

**SECTION: 03 16 00—CONCRETE ANCHORS**

**DIVISION: 05 00 00—METALS**

**SECTION: 05 05 19—POST-INSTALLED CONCRETE ANCHORS**

**REPORT HOLDER:**

**DEWALT**

**701 EAST JOPPA ROAD  
TOWSON, MARYLAND 21286**

**EVALUATION SUBJECT:**

**POWER-STUD®+ SD1 EXPANSION ANCHORS FOR CRACKED AND UNCRACKED  
CONCRETE (DEWALT / POWERS)**



**Look for the trusted marks of Conformity!**

*“2014 Recipient of Prestigious Western States Seismic Policy Council (WSSPC) Award in Excellence”*



*ICC-ES Evaluation Reports are not to be construed as representing aesthetics or any other attributes not specifically addressed, nor are they to be construed as an endorsement of the subject of the report or a recommendation for its use. There is no warranty by ICC Evaluation Service, LLC, express or implied, as to any finding or other matter in this report, or as to any product covered by the report.*



# ICC-ES Evaluation Report

**ESR-2818**

Reissued December 2017

This report is subject to renewal December 2018.

[www.icc-es.org](http://www.icc-es.org) | (800) 423-6587 | (562) 699-0543

A Subsidiary of the International Code Council®

**DIVISION: 03 00 00—CONCRETE**  
**Section: 03 16 00—Concrete Anchors**

**DIVISION: 05 00 00—METALS**  
**Section: 05 05 19—Post-Installed Concrete Anchors**

**REPORT HOLDER:**

**DEWALT**  
701 EAST JOPPA ROAD  
TOWSON, MARYLAND 21286  
(800) 524-3244  
[www.dewalt.com](http://www.dewalt.com)  
[anchors@dewalt.com](mailto:anchors@dewalt.com)

**ADDITIONAL LISTEES:**

**POWERS FASTENERS**  
701 EAST JOPPA ROAD  
TOWSON, MARYLAND 21286  
(800) 524-3244  
[www.powers.com](http://www.powers.com)  
[engineering@powers.com](mailto:engineering@powers.com)

**COOPER B-LINE**  
509 WEST MONROE STREET  
HIGHLAND, ILLINOIS 62249  
[blineus@cooperindustries.com](mailto:blineus@cooperindustries.com)

**THE HILLMAN GROUP**  
10590 HAMILTON AVENUE  
CINCINNATI, OHIO 45231  
[info@hillmangroup.com](mailto:info@hillmangroup.com)

**EVALUATION SUBJECT:**

**POWER-STUD®+ SD1 EXPANSION ANCHORS FOR  
CRACKED AND UNCRACKED CONCRETE (DEWALT /  
POWERS)**

**1.0 EVALUATION SCOPE**

**Compliance with the following codes:**

- 2015, 2012 and 2009 *International Building Code*® (IBC)
- 2015, 2012 and 2009 *International Residential Code*® (IRC)

For evaluation for compliance with the *National Building Code of Canada*® (NBCC), see listing report [ELC-2818](#).

For evaluation for compliance with codes adopted by the Los Angeles Department of Building and Safety (LADBS), see [ESR-2818 LABC and LARC Supplement](#).

**Property evaluated:**

Structural

**2.0 USES**

The Power-Stud+ SD1 expansion anchors are used as anchorage in cracked and uncracked normal-weight concrete and lightweight concrete having a specified compressive strength,  $f'_c$ , of 2,500 psi to 8,500 psi (17.2 MPa to 58.6 MPa) to resist static, wind and seismic tension and shear loads.

The <sup>3</sup>/<sub>8</sub>-inch- and <sup>1</sup>/<sub>2</sub>-inch-diameter (9.5 mm and 12.7 mm) anchors may be installed in the topside of cracked and uncracked normal-weight or sand-lightweight concrete-filled steel deck having a specified compressive strength,  $f'_c$ , of 2,500 psi to 8,500 psi (17.2 MPa to 58.6 MPa).

The <sup>3</sup>/<sub>8</sub>-inch- to <sup>3</sup>/<sub>4</sub>-inch-diameter (9.5 mm to 19.1 mm) anchors may be installed in the soffit of cracked and uncracked [<sup>1</sup>/<sub>4</sub>-inch (6.4 mm) uncracked only] normal-weight or sand-lightweight concrete-filled steel deck having a minimum specified compressive strength,  $f'_c$ , of 3,000 psi (20.7 MPa).

The anchors comply with Section 1901.3 of the 2015 IBC, Section 1909 of the 2012 IBC and Section 1912 of the 2009 and 2006 IBC. The anchors are alternatives to cast-in-place anchors described in Section 1908 of the 2012 IBC and Section 1911 of the 2009 IBC. The anchors may also be used where an engineered design is submitted in accordance with Section R301.1.3 of the IRC.

Installation instructions and information are set forth in Section 4.3, Table 1 and Figures A, 1 3, 4, 5A and 5B.

**3.0 DESCRIPTION**

**3.1 Power-Stud+ SD1:**

Power-Stud+ SD1 expansion anchors are torque-controlled, mechanical expansion anchors comprised of an anchor body, expansion wedge (clip), washer and hex nut. Product names corresponding to report holder and additional listees are presented in the following table.

| COMPANY NAME      | PRODUCT NAME            |
|-------------------|-------------------------|
| DEWALT            | Power-Stud+ SD1         |
| Powers Fasteners  | Power-Stud+ SD1         |
| Cooper B-Line     | B-Line Power-Stud+ SD1  |
| The Hillman Group | Hillman Power-Stud+ SD1 |

Available diameters are <sup>1</sup>/<sub>4</sub> inch, <sup>3</sup>/<sub>8</sub> inch, <sup>1</sup>/<sub>2</sub> inch, <sup>5</sup>/<sub>8</sub> inch, <sup>3</sup>/<sub>4</sub> inch, <sup>7</sup>/<sub>8</sub> inch, 1 inch, and 1<sup>1</sup>/<sub>4</sub> inch (6.4 mm, 9.5

mm, 12.7 mm, 15.9 mm, 19.1 mm, 22.0 mm, 25.4 mm and 31.8 mm). The anchor body and expansion clip are manufactured from medium carbon steel complying with requirements set forth in the approved quality documentation, and have minimum 0.0002-inch-thick (5  $\mu$ m) zinc plating in accordance with ASTM B633, SC1, Type III. The washers comply with ASTM F844. The hex nuts comply with ASTM A563, Grade A. The Power-Stud+SD1 expansion anchor is illustrated in Figure 2.

The anchor body is comprised of a high-strength threaded rod at one end and a tapered mandrel at the other end. The tapered mandrel is enclosed by a three-section expansion clip that freely moves around the mandrel. The expansion clip movement is restrained by the mandrel taper and by a collar. The anchors are installed in a predrilled hole with a hammer. When torque is applied to the nut of the installed anchor on the threaded end of the anchor body, the mandrel at the opposite end of the anchor is drawn into the expansion clip, forcing it outward into the sides of the predrilled hole in the base material.

### 3.2 Concrete:

Normal-weight and lightweight concrete must comply with Sections 1903 and 1905 of the IBC as applicable.

### 3.3 Steel Deck Panels:

Steel deck panels must comply with the configuration in Figure 4, Figure 5A and Figure 5B and have a minimum base steel thickness of 0.035 inch (0.889 mm) [No. 20 gage]. Steel must comply with ASTM A653/A653M SS Grade 33, and have a minimum yield strength of 33 ksi (228 MPa).

## 4.0 DESIGN AND INSTALLATION

### 4.1 Strength Design:

**4.1.1 General:** Design strength of anchors complying with the 2015 IBC, as well as Section R301.3 of the 2015 IRC must be determined in accordance with ACI 318-14 Chapter 17 and this report.

Design strength of anchors complying with the 2012 IBC, as well as Section R301.1.3 of the 2012 IRC, must be determined in accordance with ACI 318-11 Appendix D and this report.

Design strength of anchors complying with the 2009 IBC, as well as Section R301.1.3 of the 2009 IRC, must be determined in accordance with ACI 318-08 Appendix D and this report.

Design examples according to the 2015 IBC and 2012 IBC are given in Figure 6 of this report.

Design parameters provided in Tables 1, 2, and 3 and references to ACI 318 are based on the 2015 IBC (ACI 318-14) and on the 2012 IBC (ACI 318-11) unless noted otherwise in Sections 4.1.1 through 4.1.12 of this report. The strength design of anchors must comply with ACI 318-14 17.3.1 or ACI 318-11 D.4.1, as applicable, except as required in ACI 318-14 17.2.3 or ACI 318-11 D.3.3, as applicable. Strength reduction factors,  $\phi$ , as given in ACI 318-14 17.3.3 or ACI 318-11 D.4.3, as applicable, and noted in Tables 2 and 3 of this report, must be used for load combinations calculated in accordance with Section 1605.2 of the IBC and ACI 318-14 Section 5.3 or ACI 318-11, Section 9.2, as applicable. Strength reduction factors,  $\phi$ , described in ACI 318-11 D.4.4, must be used for load combinations calculated in accordance with ACI 318-11 Appendix C. Strength reduction factors,  $\phi$ , corresponding to ductile steel elements are appropriate.

**4.1.2 Requirements for Static Steel Strength in Tension,  $N_{sa}$ :** The nominal static steel strength of a single

anchor in tension,  $N_{sa}$ , calculated in accordance with ACI 318-14 17.4.1.2 or ACI 318-11 D.5.1.2, as applicable, is given in Table 2 of this report. Strength reduction factors,  $\phi$ , corresponding to ductile steel elements may be used.

**4.1.3 Requirements for Static Concrete Breakout Strength in Tension,  $N_{cb}$  or  $N_{cbg}$ :** The nominal concrete breakout strength of a single anchor or a group of anchors in tension,  $N_{cb}$  and  $N_{cbg}$ , respectively must be calculated in accordance with ACI 318-14 17.4.2 or ACI 318-11 D.5.2, as applicable, with modifications as described in this section. The basic concrete breakout strength in tension,  $N_b$ , must be calculated in accordance with ACI 318-14 17.4.2.2 or ACI 318-11 D.5.2.2, as applicable, using the values of  $h_{ef}$  and  $k_{cr}$  as given in Table 2 of this report. The nominal concrete breakout strength in tension in regions where analysis indicates no cracking in accordance with ACI 318-14 17.4.2.6 or ACI 318-11 D.5.2.6, as applicable, must be calculated with the value of  $k_{uncr}$  as given in Table 2 and with  $\psi_{c,N} = 1.0$ .

For anchors installed in the soffit of sand-lightweight or normal-weight concrete-filled steel deck floor and roof assemblies, as shown in Figure 5A and Figure 5B, calculation of the concrete breakout strength in accordance with ACI 318-14 17.4.2 or ACI 318-11 D.5.2, as applicable, is not required.

**4.1.4 Requirements for Static Pullout Strength in Tension,  $N_{pn}$ :** The nominal pullout strength of a single anchor in accordance with ACI 318-14 17.4.3 or ACI 318-11 D.5.3, as applicable, in cracked and uncracked concrete,  $N_{p,cr}$  and  $N_{p,uncr}$ , respectively, is given in Table 2. In lieu of ACI 318-14 17.4.3.6 or ACI 318-11 D.5.3.6, as applicable,  $\psi_{c,P} = 1.0$  for all design cases. The nominal pullout strength in cracked concrete may be adjusted by calculations according to Eq-1:

$$N_{pn,f'_c} = N_{p,cr} \left( \frac{f'_c}{2,500} \right)^{0.5} \quad (\text{lb, psi}) \quad (\text{Eq-1})$$

$$N_{pn,f'_c} = N_{p,cr} \left( \frac{f'_c}{17.2} \right)^{0.5} \quad (\text{N,MPa})$$

where  $f'_c$  is the specified concrete compressive strength.

In regions where analysis indicates no cracking in accordance with ACI 318-14 17.4.3.6 or ACI 318-11 D.5.3.6, as applicable, the nominal pullout strength in tension can be adjusted by calculations according to Eq-2:

$$N_{pn,f'_c} = N_{p,uncr} \left( \frac{f'_c}{2,500} \right)^{0.5} \quad (\text{lb, psi}) \quad (\text{Eq-2})$$

$$N_{pn,f'_c} = N_{p,uncr} \left( \frac{f'_c}{17.2} \right)^{0.5} \quad (\text{N,MPa})$$

where  $f'_c$  is the specified concrete compressive strength.

Where values for  $N_{p,cr}$  or  $N_{p,uncr}$  are not provided in Table 2 of this report, the pullout strength in tension need not be evaluated.

The nominal pullout strength in tension for anchors installed in the soffit of sand-lightweight or normal weight concrete-filled steel deck floor and roof assemblies, as shown in Figure 5A and Figure 5B, is provided in Table 2. In accordance with ACI 318-14 17.4.3.2 or ACI 318-11 D.5.3.2, as applicable, the nominal pullout strength in cracked concrete must be calculated according to Eq-1, whereby the value of  $N_{p,deck,cr}$  must be substituted for  $N_{p,cr}$  and the value of 3,000 psi (20.7 MPa) must be substituted for the value of 2,500 psi (17.2 MPa) in the denominator. In regions where analysis indicates no cracking in accordance with ACI 318-14 17.4.3.6 or ACI 318-11 D.5.3.6, as applicable, the nominal strength in uncracked

concrete must be calculated according to Eq-2, whereby the value of  $N_{p,deck,uncr}$  must be substituted for  $N_{p,uncr}$  and the value of 3,000 psi (20.7 MPa) must be substituted for the value of 2,500 psi (17.2 MPa) in the denominator.

**4.1.5 Requirements for Static Steel Strength in Shear,  $V_{sa}$ :** The nominal steel strength in shear,  $V_{sa}$ , of a single anchor in accordance with ACI 318-14 17.5.1.2 or ACI 318-11 D.6.1.2, as applicable, is given in Table 3 of this report and must be used in lieu of the values derived by calculation from ACI 318-14 Eq. 17.5.1.2b or ACI 318-11 Eq. D-29. The strength reduction factor,  $\phi$ , corresponding to a ductile steel element must be used for all anchors, as described in Table 3 of this report.

The shear strength  $V_{sa,deck}$  of anchors installed in the soffit of sand-lightweight or normal-weight concrete on steel deck floor and roof assemblies, as shown in Figure 5A and Figure 5B, is given in Table 3 of this report in lieu of the values derived by calculation from ACI 318-14 17.5.1.2b or ACI 318-11 Eq. D-29, as applicable.

**4.1.6 Requirements for Static Concrete Breakout Strength in Shear,  $V_{cb}$  or  $V_{cbg}$ :** The nominal concrete breakout strength of a single anchor or group of anchors in shear,  $V_{cb}$  or  $V_{cbg}$ , respectively, must be calculated in accordance with ACI 318-14 17.5.2 or ACI 318-11 D.6.2, as applicable, with modifications as described in this section. The basic concrete breakout strength in shear,  $V_b$ , must be calculated in accordance with ACI 318-14 17.5.2.2 or ACI 318-11 D.6.2.2, as applicable, using the values of  $\ell_e$  and  $d_a$  given in Table 3 of this report.

For anchors installed in the topside of concrete-filled steel deck assemblies, the nominal concrete breakout strength of a single anchor or group of anchors in shear,  $V_{cb}$  or  $V_{cbg}$ , respectively, must be calculated in accordance with ACI 318-14 17.5.2.1 or ACI 318-11 D.6.2.1, as applicable, using the actual member topping thickness,  $h_{min,deck}$ , in the determination of  $A_{vc}$ . Minimum member topping thickness for anchors in the topside of concrete-filled steel deck assemblies is given in Table 1 of this report.

For anchors installed in the soffit of sand-lightweight or normal-weight concrete-filled steel deck floor and roof assemblies, as shown in Figure 5A and Figure 5B, calculation of the concrete breakout strength in accordance with ACI 318-14 17.5.2 or ACI 318-11 D.6.2, as applicable, is not required.

**4.1.7 Requirements for Static Concrete Pryout Strength in Shear,  $V_{cp}$  or  $V_{cpg}$ :** The nominal concrete pryout strength of a single anchor or group of anchors in shear,  $V_{cp}$  or  $V_{cpg}$ , respectively, must be calculated in accordance with ACI 318-14 17.5.3 or ACI 318-11 D.6.3, as applicable, modified by using the value of  $k_{cp}$  provided in Table 3 and the value of  $N_{cb}$  or  $N_{cbg}$  as calculated in Section 4.1.3 of this report.

For anchors installed in the soffit of sand-lightweight or normal-weight concrete-filled steel deck floor and roof assemblies, as shown in Figure 5A and Figure 5B, calculation of the concrete pryout strength in accordance with ACI 318-14 17.5.3 or ACI 318-11 D.6.3, as applicable, is not required.

#### 4.1.8 Requirements for Seismic Design:

**4.1.8.1 General:** For load combinations including seismic loads, the design must be performed in accordance with ACI 318-14 17.2.3 or ACI 318-11 D.3.3, as applicable. Modifications to ACI 318-14 17.2.3 shall be applied under Section 1905.1.8 of the 2015 IBC. For the 2012 IBC, Section 1905.1.9 must be omitted. Modifications to ACI

318-08, D.3.3 shall be applied under Section 1908.1.9 of the 2009 IBC.

The anchors comply with ACI 318-14 2.3 or ACI 318 (-11, -08) D.1, as applicable, as ductile steel elements and must be designed in accordance with ACI 318-14 17.2.3.4, 17.2.3.5, 17.2.3.6 or 17.2.3.7; ACI 318-11 D.3.3.4, D.3.3.5, D.3.3.6 or D.3.3.7; ACI 318-08 D.3.3.4, D.3.3.5 or D.3.3.6; as applicable. Strength reduction factors,  $\phi$ , are given in Tables 2 and 3 of this report. The  $1/4$ -inch-diameter (6.4 mm) anchors must be limited to installation in structures assigned to IBC Seismic Design Categories A and B only. The  $3/8$ -inch-diameter (9.5 mm),  $1/2$ -inch-diameter (12.7 mm),  $5/8$ -inch-diameter (15.9 mm),  $3/4$ -inch-diameter (19.1 mm),  $7/8$ -inch-diameter (22.2 mm), 1-inch-diameter (25.4 mm) and  $1 1/4$ -inch-diameter (31.8 mm) anchors may be installed in structures assigned to IBC Seismic Design Categories A to F.

**4.1.8.2 Seismic Tension:** The nominal steel strength and nominal concrete breakout strength for anchors in tension must be calculated in accordance with ACI 318-14 17.4.1 and 17.4.2 or ACI 318-11 D.5.1 and D.5.2, respectively, as applicable, as described in Sections 4.1.2 and 4.1.3 of this report. In accordance with ACI 318-14 17.4.3.2 or ACI 318-11 D.5.3.2, as applicable, the appropriate value for pullout strength in tension for seismic loads,  $N_{p,eq}$ , described in Table 2 must be used in lieu of  $N_p$ .  $N_{p,eq}$  may be adjusted by calculations for concrete compressive strength in accordance with Eq-1 of this report.

For anchors installed in the soffit of sand-lightweight or normal-weight concrete-filled steel deck floor and roof assemblies, the nominal pullout strength in tension for seismic loads,  $N_{p,deck,eq}$ , is provided in Table 2 and must be used in lieu of  $N_{p,cr}$ .  $N_{p,deck,eq}$  may be adjusted by calculations for concrete compressive strength in accordance with Eq-1 of this report where the value of 3,000 psi (20.7 MPa) must be substituted for the value of 2,500 psi (17.2 MPa) in the denominator.

Where values for  $N_{p,eq}$  or  $N_{p,deck,eq}$  are not provided in Table 2 of this report, the pullout strength in tension for seismic loads does not govern and need not be evaluated.

**4.1.8.3 Seismic Shear:** The nominal concrete breakout strength and concrete pryout strength for anchors in shear must be calculated according to ACI 318-14 17.5.2 and 17.5.3 or ACI 318-11 D.6.2 and D.6.3, respectively, as applicable, as described in Sections 4.1.6 and 4.1.7. In accordance with ACI 318-14 17.5.1.2 or ACI 318-11 D.6.1.2, as applicable, the appropriate value for nominal steel strength in shear for seismic loads,  $V_{sa,eq}$ , described in Table 3 must be used in lieu of  $V_{sa}$ .

For anchors installed in the soffit of sand-lightweight or normal-weight concrete-filled steel deck floor and roof assemblies, as shown in Figure 5A and Figure 5B, the appropriate value for nominal steel strength in shear for seismic loads,  $V_{sa,deck,eq}$ , described in Table 3 must be used in lieu of  $V_{sa}$ .

**4.1.9 Requirements for Interaction of Tensile and Shear Forces:** Anchors or groups of anchors that are subject to the effects of combined axial (tensile) and shear forces must be designed in accordance with ACI 318-14 17.6 or ACI 318-11 D.7, as applicable.

**4.1.10 Requirements for Critical Edge Distance:** In applications where  $c < c_{ac}$  and supplemental reinforcement to control splitting of the concrete is not present, the concrete breakout strength in tension for uncracked concrete, calculated according to ACI 318-14 17.4.2 or ACI 318-11 D.5.2, as applicable, must be further multiplied by

the factor  $\psi_{cp,N}$  given by Eq-3:

$$\psi_{cp,N} = \frac{c}{c_{ac}} \quad (\text{Eq-3})$$

where the factor  $\psi_{cp,N}$  need not be taken as less than  $\frac{1.5h_{ef}}{c_{ac}}$ . For all other cases,  $\psi_{cp,N} = 1.0$ . In lieu of using ACI 318-14 17.7.6 or ACI 318-11 D.8.6, as applicable, values of  $c_{ac}$  must comply with Table 1 of this report.

**4.1.11 Requirements for Minimum Member Thickness, Minimum Anchor Spacing and Minimum Edge Distance:** In lieu of ACI 318-14 17.7.1 and 17.7.3; or ACI 318-11 D.8.1 and D.8.3, respectively, as applicable, values of  $c_{min}$  and  $s_{min}$  must comply with Table 1. In lieu of ACI 318-14 17.7.5 or ACI 318-11 D.8.5, as applicable, minimum member thicknesses,  $h_{min}$  or  $h_{min,deck}$ , must comply with Table 1. Additional combinations of minimum member thickness,  $h_{min}$ , and spacing,  $s_{min}$ , may be derived by linear interpolation between the given boundary values.

For anchors installed in the topside of concrete-filled steel deck assemblies, the anchors must be installed in accordance with Table 1 and Figure 4 of this report.

For anchors installed through the soffit of steel deck assemblies, the anchors must be installed in accordance with Figure 5A and Figure 5B and must have an axial spacing along the flute equal to the greater of  $3h_{ef}$  or 1.5 times the flute width.

**4.1.12 Lightweight Concrete:** For the use of anchors in lightweight concrete, the modification factor  $\lambda_a$  equal to  $0.8\lambda$  is applied to all values of  $\sqrt{f'_c}$  affecting  $N_n$  and  $V_n$ .

For ACI 318-14 (2015 IBC), ACI 318-11 (2012 IBC) and ACI 318-08 (2009 IBC),  $\lambda$  shall be determined in accordance with the corresponding version of ACI 318.

For anchors installed in the soffit of sand-lightweight concrete-filled steel deck and floor and roof assemblies, further reduction of the pullout values provided in this report is not required.

**4.2 Allowable Stress Design (ASD):**

**4.2.1 General:** Where design values for use with allowable stress design (working stress design) load combinations in accordance with Section 1605.3 of the IBC are required these are calculated using Eq-4 and Eq-5 as follows:

$$T_{allowable,ASD} = \frac{\phi N_n}{\alpha} \quad (\text{Eq-4})$$

$$V_{allowable,ASD} = \frac{\phi V_n}{\alpha} \quad (\text{Eq-5})$$

where:

- $T_{allowable,ASD}$  = Allowable tension load (lbf or kN)
- $V_{allowable,ASD}$  = Allowable shear load (lbf or kN)
- $\phi N_n$  = Lowest design strength of an anchor or anchor group in tension as determined in accordance with ACI 318-14 Chapter 17 and 2015 Section 1905.1.8, ACI 318-11 Appendix D, ACI 318-08 Appendix D and 2009 IBC Section 1908.1.9, and Section 4.1 of this report, as applicable (lbf or N).
- $\phi V_n$  = Lowest design strength of an anchor or anchor group in shear as determined in accordance with ACI 318-14 Chapter and 2015 IBC Section 1905.1.8, ACI 318-11 Appendix D, ACI 318-08 Appendix D and 2009 IBC

Section 1908.1.9, and Section 4.1 of this report, as applicable (lbf or N).

$\alpha$  = Conversion factor calculated as a weighted average of the load factors for the controlling load combination. In addition,  $\alpha$  must include all applicable factors to account for nonductile failure modes and required over-strength.

The requirements for member thickness, edge distance and spacing, described in this report, must apply. An example of allowable stress design values for illustrative purposes is shown in Table 4 and Figures 7, 8 and 9.

**4.2.2 Interaction of Tensile and Shear Forces:** The interaction must be calculated and consistent with ACI 318-14 17.6 or ACI 318 (-11 and, -08) D.7 as follows:

For shear loads  $V_{applied} \leq 0.2V_{allowable,ASD}$ , the full allowable load in tension shall be permitted.

For tension loads  $T_{applied} \leq 0.2T_{allowable,ASD}$ , the full allowable load in shear shall be permitted.

For all other cases Eq-6 applies:

$$\frac{T_{applied}}{T_{allowable,ASD}} + \frac{V_{applied}}{V_{allowable,ASD}} \leq 1.2 \quad (\text{Eq-6})$$

**4.3 Installation:**

Installation parameters are provided in Table 1 and Figures A,1, 3, 4, 5A and 5B of this report. Anchor locations must comply with this report and the plans and specifications approved by the code official. The Power-Stud+ SD1 expansion anchors must be installed in accordance with the manufacturer's published installation instructions and this report. Anchors must be installed in holes drilled into the concrete using carbide-tipped masonry drill bits complying with ANSI B212.15-1994. The nominal drill bit diameter must be equal to that of the anchor. The minimum drilled hole depth is given in Table 1, Figure 4, Figure 5A and Figure 5B. Prior to anchor installation, remove dust and debris from the hole during drilling (e.g. dust extractor, hollow bit) or following drilling (e.g. suction, forced air) to extract loose particles created by drilling (see Figures 3 and A) . The anchor must be hammered into the predrilled hole until the proper nominal embedment depth is achieved. The nut must be tightened against the washer until the torque values specified in Table 1 are achieved.

For installation in the topside of concrete-filled steel deck assemblies, installations must comply with Figure 4.

For installation in the soffit of concrete on steel deck assemblies, the hole diameter in the steel deck must be no more than  $1/8$ -inch (3.2 mm) larger than the diameter of the hole in the concrete. Member thickness and edge distance restrictions for installations into the soffit of concrete on steel deck assemblies must comply with Figure 5A and Figure 5B.

**4.4 Special Inspection:**

Periodic special inspection is required in accordance with Section 1705.1.1 and Table 1705.3 of the 2015 IBC and 2012 IBC, Section 1704.15 and Table 1704.4 of the 2009 IBC, as applicable. The special inspector must make periodic inspections during anchor installation to verify anchor type, anchor dimensions, concrete type, concrete compressive strength, drill bit type, hole dimensions, hole cleaning procedure, concrete member thickness, anchor embedment, anchor spacing, edge distances, tightening torque and adherence to the manufacturer's printed installation instructions. The special inspector must be

present as often as required in accordance with the "statement of special inspection".

## 5.0 CONDITIONS OF USE

The Power-Stud+ SD1 expansion anchors described in this report comply with, or are suitable alternatives to what is specified in, those codes listed in Section 1.0 of this report, subject to the following conditions:

- 5.1 The anchors must be installed in accordance with the manufacturer's published installation instructions and this report. In case of conflict, this report governs.
- 5.2 Anchor sizes, dimensions, and minimum embedment depths are as set forth in this report.
- 5.3 The  $\frac{1}{4}$ -inch (6.4 mm) anchors must be installed in uncracked normal-weight or lightweight concrete;  $\frac{3}{8}$ -inch to  $1\frac{1}{4}$ -inch anchors (9.5 mm to 31.8 mm) must be installed in cracked or uncracked normal-weight or lightweight concrete having a specified compressive strength,  $f'_c$ , of 2,500 psi to 8,500 psi (17.2 MPa to 58.6 MPa).
- 5.4 The  $\frac{3}{8}$ -inch and  $\frac{1}{2}$ -inch (9.5 mm to 12.7 mm) anchors must be installed in the topside of cracked and uncracked normal-weight or sand-lightweight concrete-filled steel deck having a specified compressive strength,  $f'_c$ , of 2,500 psi to 8,500 psi (17.2 MPa to 58.6 MPa).
- 5.5 The  $\frac{3}{8}$ -inch to  $\frac{3}{4}$ -inch anchors (9.5 mm and 19.1 mm) must be installed in the soffit of cracked and uncracked normal-weight or sand-lightweight concrete-filled steel deck having a minimum specified compressive strength,  $f'_c$ , of 3,000 psi (20.7 MPa).
- 5.6 The concrete shall have attained its minimum design strength prior to installation of the anchors.
- 5.7 The values of  $f'_c$  used for calculation purposes must not exceed 8,000 psi (55.2 MPa).
- 5.8 Strength design values must be established in accordance with Section 4.1 of this report.
- 5.9 Allowable stress design values must be established in accordance with Section 4.2 of this report.
- 5.10 Anchor spacing(s) and edge distance(s), as well as minimum member thickness, must comply with Table 1, Figure 4, Figure 5A and Figure 5B of this report, unless otherwise noted.
- 5.11 Prior to installation, calculations and details demonstrating compliance with this report must be submitted to the code official. The calculations and details must be prepared by a registered design professional where required by the statutes of the jurisdiction in which the project is to be constructed.
- 5.12 Since an ICC-ES acceptance criteria for evaluating data to determine the performance of anchors subjected to fatigue or shock loading is unavailable at this time, the use of these anchors under such conditions is beyond the scope of this report.
- 5.13 Anchors [except  $\frac{1}{4}$ -inch-diameter (6.4 mm)] may be installed in regions of concrete where cracking has occurred or where analysis indicates cracking may occur ( $f_t > f_r$ ), subject to the conditions of this report.

5.14 The  $\frac{1}{4}$ -inch-diameter (6.4 mm) anchors may be used to resist short-term loading due to wind forces, and for seismic load combinations limited to structures assigned to Seismic Design Categories A and B, under the IBC, subject to the conditions of this report. The  $\frac{3}{8}$ -inch- to  $1\frac{1}{4}$ -inch-diameter (9.5 mm to 31.8 mm) anchors may be used to resist short-term loading due to wind or seismic forces in structures assigned to Seismic Design Categories A through F, under the IBC, subject to the conditions of this report.

5.15 Where not otherwise prohibited in the code, Power-Stud+ SD1 expansion anchors are permitted for use with fire-resistance-rated construction provided that at least one of the following conditions is fulfilled:

- The anchors are used to resist wind or seismic forces only.
- Anchors that support a fire-resistance-rated envelope or a fire-resistance-rated membrane are protected by approved fire-resistance-rated materials, or have been evaluated for resistance to fire exposure in accordance with recognized standards.
- Anchors are used to support nonstructural elements.

5.16 Use of carbon steel anchors is limited to dry, interior locations.

5.17 Special inspection must be provided in accordance with Section 4.4 of this report.

5.18 Anchors are manufactured under an approved quality-control program with inspections by ICC-ES.

## 6.0 EVIDENCE SUBMITTED

Data in accordance with the ICC-ES Acceptance Criteria for Mechanical Anchors in Concrete Elements (AC193), dated October 2015, which incorporates requirements in ACI 355.2-07 / ACI 355.2-04, for use in cracked and uncracked concrete; including optional service-condition Test 18 and Test 19 (AC193, Annex 1, Table 4.2) for seismic tension and shear; and quality control documentation.

## 7.0 IDENTIFICATION

The Power-Stud+ SD1 expansion anchors are identified by dimensional characteristics and packaging. A length letter code is stamped on each anchor on the exposed threaded stud end which is visible after installation. Table A summarizes the length code identification system. A plus sign "+" is also marked with the number "1" on all anchors with the exception of the  $\frac{1}{4}$ -inch-diameter (6.4 mm) anchors. Packages are identified with the product name, type and size, the company name as set forth in Section 3.1 of this report, and the evaluation report number (ESR-2818).

TABLE 1—POWER-STUD+ SD1 ANCHOR INSTALLATION SPECIFICATIONS IN CONCRETE<sup>1</sup>

| Anchor Property/Setting Information  | Notation           | Units          | Nominal Anchor Diameter |             |              |                |                |                |                |                |                |                |                |                |                |                |             |         |
|--|--------------------|----------------|-------------------------|-------------|--------------|----------------|----------------|----------------|----------------|----------------|----------------|----------------|----------------|----------------|----------------|----------------|-------------|---------|
|  |                    |                | 1/4 inch                | 3/8 inch    | 1/2 inch     | 5/8 inch       | 3/4 inch       | 7/8 inch       | 1 inch         | 1 1/4 inch     |                |                |                |                |                |                |             |         |
| Anchor diameter  | $d_a$              | in. (mm)       | 0.250 (6.4)             | 0.375 (9.5) | 0.500 (12.7) | 0.625 (15.9)   | 0.750 (19.1)   | 0.875 (22.2)   | 1.000 (25.4)   | 1.250 (31.8)   |                |                |                |                |                |                |             |         |
| Minimum diameter of hole clearance in fixture  | $d_h$              | in. (mm)       | 5/16 (7.5)              | 7/16 (11.1) | 9/16 (14.3)  | 11/16 (17.5)   | 13/16 (20.6)   | 1 (25.4)       | 1 1/8 (28.6)   | 1 3/8 (34.9)   |                |                |                |                |                |                |             |         |
| Nominal drill bit diameter   | $d_{bit}$          | in. ANSI       | 1/4 ANSI                | 3/8 ANSI    | 1/2 ANSI     | 5/8 ANSI       | 3/4 ANSI       | 7/8 ANSI       | 1 ANSI         | 1 1/4 ANSI     |                |                |                |                |                |                |             |         |
| Nominal embedment depth  | $h_{nom}$          | in. (mm)       | 1 3/4 (44)              | 2 3/8 (60)  | 2 1/2 (64)   | 3 3/4 (95)     | 3 3/8 (86)     | 4 5/8 (117)    | 4 (102)        | 5 5/8 (143)    | 4 1/2 (114)    | 5 1/2 (140)    | 6 1/2 (165)    |                |                |                |             |         |
| Effective embedment depth  | $h_{ef}$           | in. (mm)       | 1.50 (38)               | 2.00 (51)   | 2.00 (51)    | 3.25 (83)      | 2.75 (70)      | 4.00 (102)     | 3.125 (79)     | 4.75 (114)     | 3.50 (89)      | 4.375 (111)    | 5.375 (137)    |                |                |                |             |         |
| Minimum hole depth   | $h_{hole}$         | in. (mm)       | 1 1/8 (48)              | 2 1/2 (64)  | 2 3/4 (70)   | 4 (102)        | 3 3/4 (95)     | 5 (127)        | 4 1/4 (108)    | 5 7/8 (149)    | 4 7/8 (124)    | 5 7/8 (149)    | 7 1/4 (184)    |                |                |                |             |         |
| Minimum overall anchor length <sup>2</sup>   | $\ell_{anch}$      | in. (mm)       | 2 1/4 (57)              | 3 (76)      | 3 3/4 (95)   | 4 1/2 (114)    | 4 1/2 (114)    | 6 (152)        | 5 1/2 (140)    | 7 (178)        | 8 (203)        | 9 (229)        | 9 (229)        |                |                |                |             |         |
| Installation torque <sup>6</sup>   | $T_{inst}$         | ft.-lbf. (N-m) | 4 (5)                   | 20 (27)     | 40 (54)      | 80 (108)       | 110 (149)      | 175 (237)      | 225 (305)      | 375 (508)      |                |                |                |                |                |                |             |         |
| Torque wrench/socket size  | -                  | in.            | 7/16                    | 9/16        | 3/4          | 15/16          | 1 1/8          | 1 5/16         | 1 1/2          | 1 7/8          |                |                |                |                |                |                |             |         |
| Nut height   | -                  | in.            | 7/32                    | 21/64       | 7/16         | 35/64          | 41/64          | 3/4            | 55/64          | 1 1/16         |                |                |                |                |                |                |             |         |
| <b>Anchors Installed in Concrete</b>   |                    |                |                         |             |              |                |                |                |                |                |                |                |                |                |                |                |             |         |
| Minimum member thickness   | $h_{min}$          | in. (mm)       | 3/4 (83)                | 3/4 (95)    | 4 (102)      | 4 (102)        | 6 (152)        | 6 (152)        | 7 (178)        | 6 (152)        | 10 (254)       | 10 (254)       | 10 (254)       | 12 (305)       |                |                |             |         |
| Minimum edge distance  | $c_{min}$          | in. (mm)       | 1 3/4 (44)              | 6 (152)     | 2 3/4 (70)   | 2 1/4 (57)     | 6 (152)        | 3 1/4 (95)     | 4 (102)        | 2 3/4 (70)     | 6 (152)        | 5 1/2 (140)    | 4 1/4 (108)    | 5 (127)        | 6 (152)        | 7 (178)        | 8 (203)     | 8 (203) |
| Minimum spacing distance   | $s_{min}$          | in. (mm)       | 2 1/4 (57)              | 3 1/2 (89)  | 9 (229)      | 3 3/4 (95)     | 4 1/2 (114)    | 10 (254)       | 5 (127)        | 6 (152)        | 6 (152)        | 11 (270)       | 4 1/4 (108)    | 6 (152)        | 6 1/2 (165)    | 6 1/2 (165)    | 8 (203)     | 8 (203) |
| Critical edge distance (uncracked concrete only)   | $c_{ac}$           | in. (mm)       | 3 1/2 (89)              | 6 1/2 (165) | 8 (203)      | 8 (203)        | 6 (152)        | 10 (254)       | 11 (279)       | 16 (406)       | 11 1/2 (292)   | 12 (305)       | 20 (508)       |                |                |                |             |         |
| <b>Anchors Installed in the Topside of Concrete-filled Steel Deck Assemblies<sup>3,4</sup></b> |                    |                |                         |             |              |                |                |                |                |                |                |                |                |                |                |                |             |         |
| Minimum member topping thickness   | $h_{min,deck}$     | in. (mm)       | 3/4 (83)                | 3 1/4 (83)  | 3 1/4 (83)   | See Note 3     | See Note 3     | See Note 3     | See Note 3     | See Note 3     | See Note 3     | See Note 3     | See Note 3     |                |                |                |             |         |
| Minimum edge distance  | $c_{min,deck,top}$ | in. (mm)       | 1 3/4 (44)              | 2 3/4 (70)  | 4 1/2 (114)  |                |                |                |                |                |                |                |                |                |                |                |             |         |
| Minimum spacing distance   | $s_{min,deck,top}$ | in. (mm)       | 2 1/4 (57)              | 4 (102)     | 6 1/2 (165)  |                |                |                |                |                |                |                |                |                |                |                |             |         |
| Critical edge distance (uncracked concrete only)   | $c_{ac,deck,top}$  | in. (mm)       | 3 1/2 (89)              | 6 1/2 (165) | 6 (152)      |                |                |                |                |                |                |                |                |                |                |                |             |         |
| <b>Anchors Installed Through the Soffit of Steel Deck Assemblies into Concrete<sup>5</sup></b> |                    |                |                         |             |              |                |                |                |                |                |                |                |                |                |                |                |             |         |
| Minimum member topping thickness (see detail in Figure 5A)                                     | $h_{min,deck}$     | in. (mm)       | Not Applicable          | 3 1/4 (83)  | 3 1/4 (83)   | 3 1/4 (83)     | 3 1/4 (83)     | Not Applicable | Not Applicable | Not Applicable | Not Applicable | Not Applicable | Not Applicable |                |                |                |             |         |
| Minimum edge distance, lower flute (see detail in Figure 5A)                                   | $c_{min}$          | in. (mm)       |                         | 1 1/4 (32)  | 1 1/4 (32)   | 1 1/4 (32)     |                |                |                |                |                |                |                |                |                |                |             |         |
| Minimum axial spacing distance along flute (see detail in Figure 5A)                           | $s_{min}$          | in. (mm)       |                         | 6 3/4 (171) | 6 3/4 (171)  | 9 3/4 (248)    | 8 1/4 (210)    |                |                |                |                |                |                | 12 (305)       | 9 3/8 (238)    | 14 1/4 (362)   |             |         |
| Minimum member topping thickness (see detail in Figure 5B)                                     | $h_{min,deck}$     | in. (mm)       |                         | 2 1/4 (57)  | 2 1/4 (57)   | Not Applicable | Not Applicable |                |                |                |                |                |                | Not Applicable | Not Applicable | Not Applicable |             |         |
| Minimum edge distance, lower flute (see detail in Figure 5B)                                   | $c_{min}$          | in. (mm)       |                         | 3/4 (19)    | 3/4 (19)     |                |                |                |                |                |                |                |                |                |                |                |             |         |
| Minimum axial spacing distance along flute (see detail in Figure 5B)                           | $s_{min}$          | in. (mm)       |                         | 6 (152)     | 6 (152)      |                |                |                |                |                |                |                |                |                |                |                | 9 3/4 (248) |         |

For SI: 1 inch = 25.4 mm, 1 ft-lbf = 1.356 N-m.

<sup>1</sup>The information presented in this table is to be used in conjunction with the design criteria of ACI 318-14 Chapter 17 or ACI 318-11 Appendix D, as applicable.

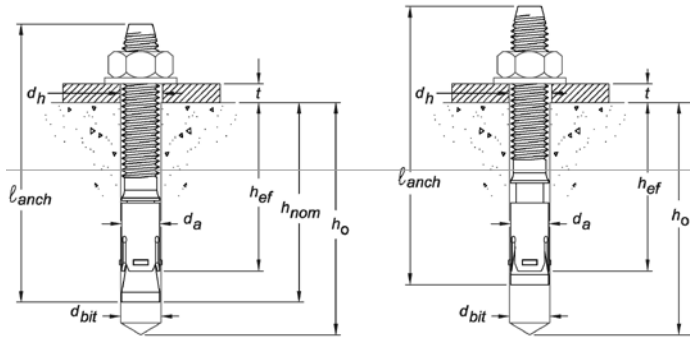
<sup>2</sup>The listed minimum overall anchor length is based on anchor sizes commercially available at the time of publication compared with the requirements to achieve the minimum nominal embedment depth, nut height and washer thickness, and consideration of a possible fixture attachment.

<sup>3</sup>The 1/4-inch-diameter (6.4 mm) anchors may be installed in the topside of uncracked concrete-filled steel deck assemblies where concrete thickness above the upper flute meets the minimum member thicknesses specified in this table. The 3/8-inch (9.5 mm) through 1 1/4-inch-diameter (31.8 mm) anchors may be installed in the topside of cracked and uncracked concrete-filled steel deck assemblies where concrete thickness above the upper flute meets the minimum member thicknesses specified in this table under Anchors Installed in Concrete Construction.

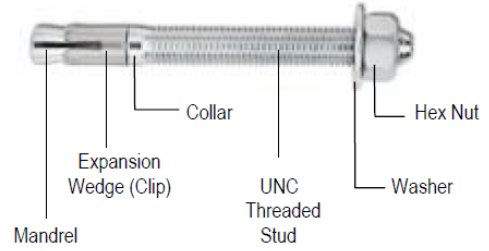
<sup>4</sup>For installations in the topside of concrete-filled steel deck assemblies, see the installation detail in Figure 4.

<sup>5</sup>For installations through the soffit of steel deck assemblies into concrete, see the installation details in Figures 5A and 5B. In accordance with the figures, anchors shall have an axial spacing along the flute equal to the greater of 3 $h_{ef}$  or 1.5 times the flute width.

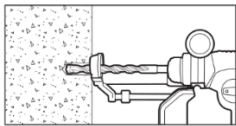
<sup>6</sup>For installation of 5/8-inch-diameter anchors through the soffit of the steel deck into concrete, the installation torque is 50 ft.-lbf. For installation of 3/4-inch-diameter anchors through the soffit of the steel deck into concrete, installation torque is 80 ft.-lbf.



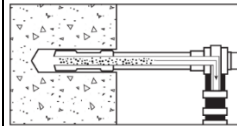
**FIGURE 1—POWER-STUD+ SD1 ANCHOR DETAIL Before (Left Picture) and After (Right Picture) Application of Installation Torque**



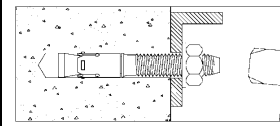
**FIGURE 2—POWER-STUD+ SD1 ANCHOR ASSEMBLY**



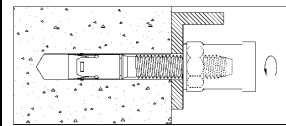
1.) Using the proper drill bit size, drill a hole into the base material to the required depth. The tolerances of the drill bit used should meet the requirements of ANSI Standard B2.12.15.



2.) Remove dust and debris from the hole during drilling (e.g. dust extractor, hollow bit) or following drilling (e.g. suction, forced air) to extract loose particles created by drilling.



3.) Position the washer on the anchor and thread on the nut. If installing through a fixture, drive the anchor through the fixture into the hole. Be sure the anchor is driven to the minimum required embedment depth,  $h_{nom}$ .



4.) Tighten the anchor with a torque wrench by applying the required installation torque,  $T_{inst}$ . See Table 1. Note: The threaded stud draws up during the tightening of the nut; the expansion clip (wedge) remains in original position.

**FIGURE 3—POWER-STUD+ SD1 INSTALLATION INSTRUCTIONS**

| DeWALT Dust Removal Drilling Systems with HEPA Dust Extractor Options |                               |                             |
|---|-------------------------------|-----------------------------|
| Tool  | Accessories and Shrouds       | HEPA Dust Extractor         |
| <b>SDS-Max Drills</b>   |                               |                             |
| <br>Cordless<br><br><br>Corded  | <br>SDS-Max Hollow Drill Bit  | <br>Dust Extractor          |
|   | <br>SDS-Max With Shroud       |                             |
| <b>SDS-Plus Drills</b>  |                               |                             |
| <br>Cordless<br><br><br>Corded  | <br>SDS-Plus Bit              | <br>Cordless Dust Extractor |
|   | <br>SDS-Plus Hollow Drill Bit |                             |
|   | <br>SDS-Plus With Telescope   | <br>Dust Extractor          |
|   | <br>SDS-Plus With Shroud      |                             |

The DEWALT drilling systems shown collect and remove dust with a HEPA dust extractor during the hole drilling operation in dry base materials using hammer-drills (see manufacturer's published installation instructions).

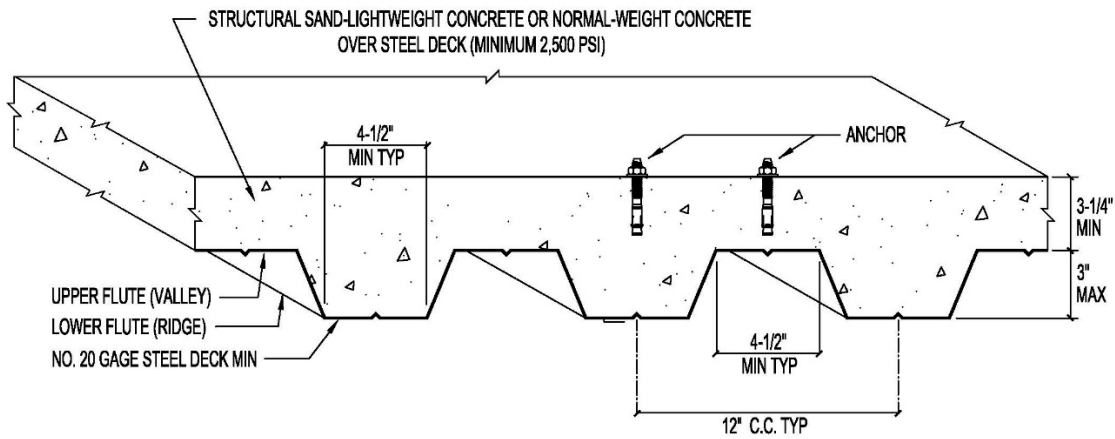
**FIGURE A—EXAMPLES OF DEWALT DUST REMOVAL DRILLING SYSTEMS WITH HEPA DUST EXTRACTORS FOR ILLUSTRATION**

**TABLE A—POWER-STUD+ SD1 ANCHOR LENGTH CODE IDENTIFICATION SYSTEM**

| Length ID marking on threaded stud head      | A                       | B     | C     | D     | E     | F     | G     | H     | I     | J     | K     | L     | M     | N     | O     | P     | Q     | R     | S  | T  |    |
|--|-------------------------|-------|-------|-------|-------|-------|-------|-------|-------|-------|-------|-------|-------|-------|-------|-------|-------|-------|----|----|----|
| Overall anchor length, $l_{anch}$ , (inches) | From                    | 1 1/2 | 2     | 2 1/2 | 3     | 3 1/2 | 4     | 4 1/2 | 5     | 5 1/2 | 6     | 6 1/2 | 7     | 7 1/2 | 8     | 8 1/2 | 9     | 9 1/2 | 10 | 11 | 12 |
|  | Up to but not including | 2     | 2 1/2 | 3     | 3 1/2 | 4     | 4 1/2 | 5     | 5 1/2 | 6     | 6 1/2 | 7     | 7 1/2 | 8     | 8 1/2 | 9     | 9 1/2 | 10    | 11 | 12 | 13 |

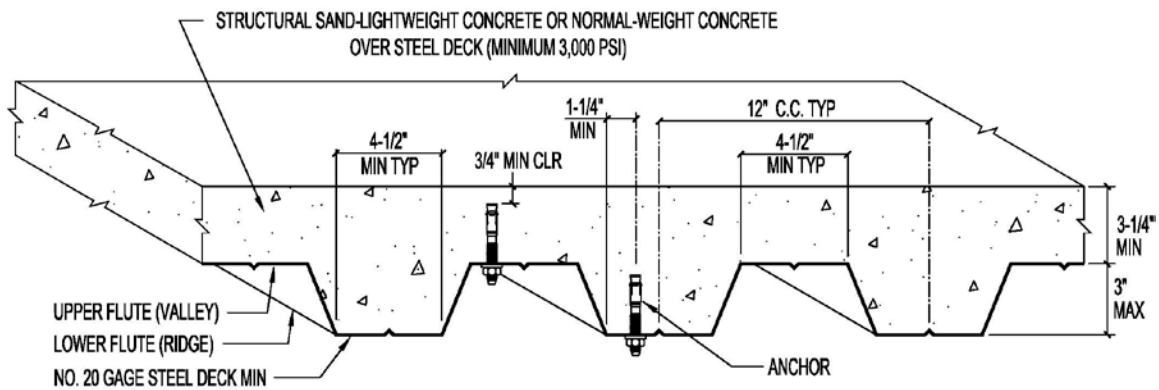
For SI: 1 inch = 25.4 mm.





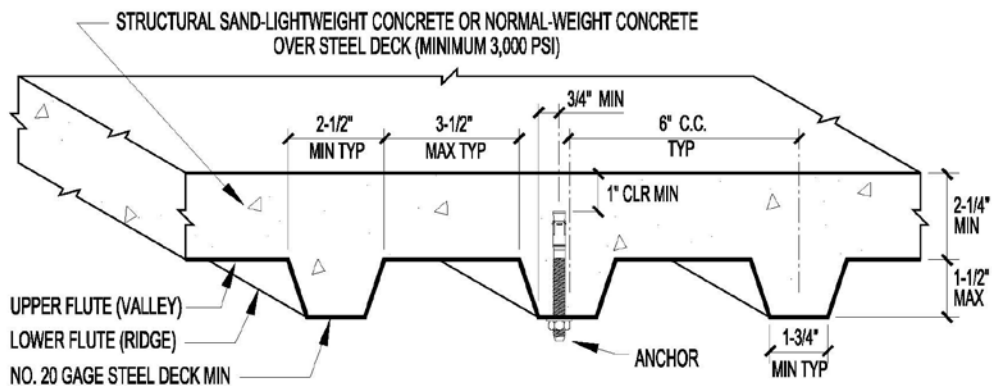
**FIGURE 4—POWER-STUD+ SD1 INSTALLATION DETAIL FOR ANCHORS IN THE TOPSIDE OF CONCRETE-FILLED STEEL DECK FLOOR AND ROOF ASSEMBLIES (SEE DIMENSIONAL PROFILE REQUIREMENTS)<sup>1</sup>**

<sup>1</sup>Anchors may be placed in the topside of steel deck profiles in accordance with Figure 4 provided the minimum member topping thickness, minimum spacing distance and minimum edge distance are satisfied as given in Table 1 of this report.



**FIGURE 5A—POWER-STUD+ SD1 INSTALLATION DETAIL FOR ANCHORS IN THE SOFFIT OF CONCRETE OVER STEEL DECK FLOOR AND ROOF ASSEMBLIES (SEE DIMENSIONAL PROFILE REQUIREMENTS)<sup>1</sup>**

<sup>1</sup>Anchors may be placed in the upper flute or lower flute of the steel deck profiles in accordance with Figure 5A provided the minimum hole clearance is satisfied. Anchors in the lower flute of Figure 5A profiles may be installed with a maximum 1-inch offset in either direction from the center of the flute. The offset distance may be increased proportionally for profiles with lower flute widths greater than those shown provided the minimum lower flute edge distance is also satisfied. In addition, the anchors must have an axial spacing along the flute equal to the greater of  $3h_{ef}$  or 1.5 times the flute width.



**FIGURE 5B—POWER-STUD+ SD1 INSTALLATION DETAIL FOR ANCHORS IN THE SOFFIT OF CONCRETE OVER STEEL DECK FLOOR AND ROOF ASSEMBLIES (SEE DIMENSIONAL PROFILE REQUIREMENTS)<sup>1,2</sup>**

<sup>1</sup>Anchors may be placed in the lower flute of the steel deck profiles in accordance with Figure 5B provided the minimum hole clearance is satisfied. Anchors in the lower flute of Figure 5B profiles may be installed with a maximum  $1/8$ -inch offset in either direction from the center of the flute. The offset distance may be increased proportionally for profiles with lower flute widths greater than those shown provided the minimum lower flute edge distance is also satisfied. In addition, the anchors must have an axial spacing along the flute equal to the greater of  $3h_{ef}$  or 1.5 times the flute width.

<sup>2</sup>Anchors may be placed in the upper flute of the steel deck profiles in accordance with Figure 5B provided the concrete thickness above the upper flute is minimum  $3/4$ -inch and a minimum hole clearance of  $3/4$ -inch is satisfied.

**TABLE 2—TENSION DESIGN INFORMATION FOR POWER-STUD+ SD1 ANCHOR IN CONCRETE**  
(For use with load combinations taken from ACI 318-14 Section 5.3 or ACI 318 -11 Section 9.2)<sup>1,2</sup>

| Design Characteristic  | Notation                | Units                                 | Nominal Anchor Diameter |                  |                  |                   |                   |                   |                   |                   |                 |                 |                  |
|--|-------------------------|---------------------------------------|-------------------------|------------------|------------------|-------------------|-------------------|-------------------|-------------------|-------------------|-----------------|-----------------|------------------|
|  |                         |                                       | 1/4 inch                | 3/8 inch         | 1/2 inch         | 5/8 inch          | 3/4 inch          | 7/8 inch          | 1 inch            | 1 1/4 inch        |                 |                 |                  |
| Anchor category  | 1, 2 or 3               | -                                     | 1                       | 1                | 1                | 1                 | 1                 | 1                 | 1                 | 1                 | 1               | 1               |                  |
| <b>STEEL STRENGTH IN TENSION<sup>4</sup></b>   |                         |                                       |                         |                  |                  |                   |                   |                   |                   |                   |                 |                 |                  |
| Minimum specified yield strength (neck)  | $f_{ya}$                | ksi<br>(N/mm <sup>2</sup> )           | 88.0<br>(606)           | 88.0<br>(606)    | 80.0<br>(551)    | 80.0<br>(551)     | 64.0<br>(441)     | 58.0<br>(400)     | 58.0<br>(400)     | 58.0<br>(400)     | 58.0<br>(400)   | 58.0<br>(400)   |                  |
| Minimum specified ultimate tensile strength (neck)   | $f_{uta}$ <sup>12</sup> | ksi<br>(N/mm <sup>2</sup> )           | 110.0<br>(758)          | 110.0<br>(758)   | 100.0<br>(689)   | 100.0<br>(689)    | 80.0<br>(552)     | 75.0<br>(517)     | 75.0<br>(517)     | 75.0<br>(517)     | 75.0<br>(517)   | 75.0<br>(517)   |                  |
| Effective tensile stress area (neck)   | $A_{se,N}$              | in <sup>2</sup><br>(mm <sup>2</sup> ) | 0.0220<br>(14.2)        | 0.0531<br>(34.3) | 0.1018<br>(65.7) | 0.1626<br>(104.9) | 0.2376<br>(150.9) | 0.327<br>(207.5)  | 0.4300<br>(273.1) | 0.4300<br>(273.1) | 0.762<br>(484)  | 0.762<br>(484)  |                  |
| Steel strength in tension <sup>4</sup>   | $N_{sa}$                | lb<br>(kN)                            | 2,255<br>(10.0)         | 5,455<br>(24.3)  | 9,080<br>(40.4)  | 14,465<br>(64.3)  | 19,000<br>(84.5)  | 24,500<br>(109.0) | 32,250<br>(143.5) | 32,250<br>(143.5) | 56,200<br>(250) | 56,200<br>(250) |                  |
| Reduction factor for steel strength <sup>3</sup>   | $\phi$                  | -                                     | 0.75                    |                  |                  |                   |                   |                   |                   |                   |                 |                 |                  |
| <b>CONCRETE BREAKOUT STRENGTH IN TENSION<sup>8</sup></b>   |                         |                                       |                         |                  |                  |                   |                   |                   |                   |                   |                 |                 |                  |
| Effective embedment depth  | $h_{ef}$                | in.<br>(mm)                           | 1.50<br>(38)            | 2.00<br>(51)     | 2.00<br>(51)     | 3.25<br>(83)      | 2.75<br>(70)      | 4.00<br>(102)     | 3.125<br>(79)     | 4.75<br>(114)     | 3.50<br>(89)    | 4.375<br>(111)  | 5.375<br>(137)   |
| Effectiveness factor for uncracked concrete  | $k_{uncr}$              | -                                     | 24                      | 24               | 24               | 24                | 24                | 24                | 24                | 24                | 24              | 24              | 27               |
| Effectiveness factor for cracked concrete  | $k_{cr}$                | -                                     | Not Applicable          | 17               | 17               | 17                | 17                | 21                | 17                | 21                | 21              | 24              | 24               |
| Modification factor for cracked and uncracked concrete <sup>5</sup>  | $\psi_{c,N}$            | -                                     | 1.0                     | 1.0              | 1.0              | 1.0               | 1.0               | 1.0               | 1.0               | 1.0               | 1.0             | 1.0             | 1.0              |
| Critical edge distance (uncracked concrete only)   | $c_{ac}$                | in.<br>(mm)                           | See Table 1             |                  |                  |                   |                   |                   |                   |                   |                 |                 |                  |
| Reduction factor for concrete breakout strength <sup>3</sup>   | $\phi$                  | -                                     | 0.65 (Condition B)      |                  |                  |                   |                   |                   |                   |                   |                 |                 |                  |
| <b>PULLOUT STRENGTH IN TENSION<sup>8,9</sup></b>   |                         |                                       |                         |                  |                  |                   |                   |                   |                   |                   |                 |                 |                  |
| Characteristic pullout strength, uncracked concrete (2,500 psi) <sup>6</sup>   | $N_{p,uncr}$            | lb<br>(kN)                            | See note 7              | 2,865<br>(12.8)  | 3,220<br>(14.3)  | 5,530<br>(24.6)   | See note 7        | See note 7        | See note 7        | See note 7        | See note 7      | See note 7      | See note 7       |
| Characteristic pullout strength, cracked concrete (2,500 psi) <sup>6</sup>   | $N_{p,cr}$              | lb<br>(kN)                            | Not Applicable          | 2,035<br>(9.1)   | See note 7       | 2,505<br>(11.2)   | See note 7        | 4,450<br>(19.8)   | See note 7        | See note 7        | See note 7      | See note 7      | 11,350<br>(50.5) |
| Reduction factor for pullout strength <sup>3</sup>   | $\phi$                  | -                                     | 0.65 (Condition B)      |                  |                  |                   |                   |                   |                   |                   |                 |                 |                  |
| <b>PULLOUT STRENGTH IN TENSION FOR SEISMIC APPLICATIONS<sup>8,9</sup></b>  |                         |                                       |                         |                  |                  |                   |                   |                   |                   |                   |                 |                 |                  |
| Characteristic pullout strength, seismic (2,500 psi) <sup>6,10</sup>   | $N_{p,eq}$              | lb<br>(kN)                            | Not Applicable          | 2,035<br>(9.1)   | See note 7       | 2,505<br>(11.1)   | See note 7        | 4,450<br>(19.8)   | See note 7        | See note 7        | See note 7      | See note 7      | 11,350<br>(50.5) |
| Reduction factor for pullout strength, seismic <sup>3</sup>  | $\phi$                  | -                                     | 0.65 (Condition B)      |                  |                  |                   |                   |                   |                   |                   |                 |                 |                  |
| <b>PULLOUT STRENGTH IN TENSION FOR ANCHORS INSTALLED THROUGH THE SOFFIT OF SAND-LIGHTWEIGHT AND NORMAL-WEIGHT CONCRETE OVER STEEL DECK</b> |                         |                                       |                         |                  |                  |                   |                   |                   |                   |                   |                 |                 |                  |
| Characteristic pullout strength, uncracked concrete over steel deck (Figure 5A) <sup>6,11</sup>  | $N_{p,deck,uncr}$       | lb<br>(kN)                            | Not Applicable          | 1,940<br>(8.6)   | 3,205<br>(14.2)  | 2,795<br>(12.4)   | 3,230<br>(14.4)   | Not Applicable    | Not Applicable    | Not Applicable    | Not Applicable  | Not Applicable  |                  |
| Characteristic pullout strength, cracked concrete over steel deck (Figure 5A) <sup>6,11</sup>  | $N_{p,deck,cr}$         | lb<br>(kN)                            |                         | 1,375<br>(6.1)   | 2,390<br>(10.6)  | 1,980<br>(8.8)    | 2,825<br>(12.4)   |                   |                   |                   |                 |                 |                  |
| Characteristic pullout strength, cracked concrete over steel deck, seismic (Figure 5A) <sup>6,11</sup>                                     | $N_{p,deck,eq}$         | lb<br>(kN)                            |                         | 1,375<br>(6.1)   | 2,390<br>(10.6)  | 1,980<br>(8.8)    | 2,825<br>(12.4)   |                   |                   |                   |                 |                 |                  |
| Characteristic pullout strength, uncracked concrete over steel deck (Figure 5B) <sup>6,11</sup>  | $N_{p,deck,uncr}$       | lb<br>(kN)                            |                         | 1,665<br>(7.4)   | 1,900<br>(8.5)   | Not Applicable    | Not Applicable    |                   |                   |                   |                 |                 |                  |
| Characteristic pullout strength, cracked concrete over steel deck (Figure 5B) <sup>6,11</sup>  | $N_{p,deck,cr}$         | lb<br>(kN)                            |                         | 1,180<br>(5.2)   | 1,420<br>(6.3)   |                   |                   |                   |                   |                   |                 |                 |                  |
| Characteristic pullout strength, cracked concrete over steel deck, seismic (Figure 5B) <sup>6,11</sup>                                     | $N_{p,deck,eq}$         | lb<br>(kN)                            |                         | 1,180<br>(5.2)   | 1,420<br>(6.3)   |                   |                   |                   |                   |                   |                 |                 |                  |
| Reduction factor for pullout strength, steel deck <sup>3</sup>   | $\phi$                  | -                                     | 0.65 (Condition B)      |                  |                  |                   |                   |                   |                   |                   |                 |                 |                  |

For SI: 1 inch = 25.4 mm; 1 ksi = 6.894 N/mm<sup>2</sup>; 1 lbf = 0.0044 kN.

<sup>1</sup>The data in this table is intended to be used with the design provisions of ACI 318-14 Chapter 17 or ACI 318 -11 Appendix D, as applicable; for anchors resisting seismic load combinations the additional requirements of ACI 318-14 17.2.3 or ACI 318-11 D.3.3, as applicable, must apply.

<sup>2</sup>Installation must comply with published instructions and details.

<sup>3</sup>All values of  $\phi$  apply to the load combinations of IBC Section 1605.2, ACI 318-14 Section 5.3 or ACI 318-11 Section 9.2, as applicable. If the load combinations of ACI 318-11 Appendix C are used, then the appropriate value of  $\phi$  must be determined in accordance with ACI 318-11 D.4.4. For reinforcement that meets ACI 318-14 Chapter 17 or ACI 318-11 Appendix D requirements for Condition A, see ACI 318-14 17.3.3(c) or ACI 318-11 D.4.3(c), as applicable, for the appropriate  $\phi$  factor when the load combinations of IBC Section 1605.2, ACI 318-14 Section 5.3 or ACI 318-11 Section 9.2, as applicable, are used.

<sup>4</sup>The Power-Stud+ SD1 is considered a ductile steel element as defined by ACI 318-14 2.3 or ACI 318-11 D.1, as applicable. Tabulated values for steel strength in tension are based on test results per ACI 355.2 and must be used for design.

<sup>5</sup>For all design cases use  $\psi_{c,N} = 1.0$ . The appropriate effectiveness factor for cracked concrete ( $k_{cr}$ ) or uncracked concrete ( $k_{uncr}$ ) must be used.

<sup>6</sup>For all design cases use  $\psi_{c,P} = 1.0$ . For the calculation of  $N_{pn}$ , see Section 4.1.4 of this report.

<sup>7</sup>Pullout strength does not control design of indicated anchors. Do not calculate pullout strength for indicated anchor size and embedment.

<sup>8</sup>Anchors are permitted to be used in lightweight concrete in accordance with Section 4.1.12 of this report.

<sup>9</sup>For anchors in the topside of concrete-filled steel deck assemblies, see Figure 4.

<sup>10</sup>Tabulated values for characteristic pullout strength in tension are for seismic applications and based on test results in accordance with ACI 355.2, Section 9.5.

<sup>11</sup>Values for  $N_{p,deck}$  are for sand-lightweight concrete ( $f'_{c,min} = 3,000$  psi) and additional lightweight concrete reduction factors need not be applied. In addition, evaluation for the concrete breakout capacity in accordance with ACI 318-14 17.4.2 or ACI 318-11 D.5.2, as applicable, is not required for anchors installed in the deck soffit (flute).

**TABLE 3—SHEAR DESIGN INFORMATION FOR POWER-STUD+ SD1 ANCHOR IN CONCRETE**  
(For use with load combinations taken from ACI 318-14 Section 5.3 or ACI 318-11, Section 9.2)<sup>1,2</sup>

| Design Characteristic   | Notation         | Units                                 | Nominal Anchor Diameter |                  |                  |                   |                   |                  |                   |                  |                  |                  |                |
|---|------------------|---------------------------------------|-------------------------|------------------|------------------|-------------------|-------------------|------------------|-------------------|------------------|------------------|------------------|----------------|
|   |                  |                                       | 1/4 inch                | 3/8 inch         | 1/2 inch         | 5/8 inch          | 3/4 inch          | 7/8 inch         | 1 inch            | 1 1/4 inch       |                  |                  |                |
| Anchor category   | 1, 2 or 3        | -                                     | 1                       | 1                | 1                | 1                 | 1                 | 1                | 1                 | 1                | 1                | 1                |                |
| <b>STEEL STRENGTH IN SHEAR<sup>4</sup></b>  |                  |                                       |                         |                  |                  |                   |                   |                  |                   |                  |                  |                  |                |
| Minimum specified yield strength (threads)  | $f_{ya}$         | ksi<br>(N/mm <sup>2</sup> )           | 70.0<br>(482)           | 80.0<br>(552)    | 70.4<br>(485)    | 70.4<br>(485)     | 64.0<br>(441)     | 58.0<br>(400)    | 58.0<br>(400)     | 58.0<br>(400)    | 58.0<br>(400)    | 58.0<br>(400)    |                |
| Minimum specified ultimate strength (threads)   | $f_{uta}$        | ksi<br>(N/mm <sup>2</sup> )           | 88.0<br>(606)           | 100.0<br>(689)   | 88.0<br>(607)    | 88.0<br>(607)     | 80.0<br>(552)     | 75.0<br>(517)    | 75.0<br>(517)     | 75.0<br>(517)    | 75.0<br>(517)    | 75.0<br>(517)    |                |
| Effective tensile stress area (threads)   | $A_{se,v}$       | in <sup>2</sup><br>(mm <sup>2</sup> ) | 0.0318<br>(20.5)        | 0.0775<br>(50.0) | 0.1419<br>(91.5) | 0.2260<br>(145.8) | 0.3345<br>(212.4) | 0.462<br>(293.4) | 0.6060<br>(384.8) | 0.969<br>(615)   | 0.969<br>(615)   | 0.969<br>(615)   |                |
| Steel strength in shear <sup>5</sup>  | $V_{sa}$         | lb<br>(kN)                            | 925<br>(4.1)            | 2,990<br>(13.3)  | 4,620<br>(20.6)  | 9,030<br>(40.2)   | 10,640<br>(47.3)  | 11,655<br>(54.8) | 8,820<br>(39.2)   | 10,935<br>(48.6) | 17,750<br>(79.0) | 17,750<br>(79.0) |                |
| Reduction factor for steel strength <sup>3</sup>  | $\phi$           | -                                     | 0.65                    |                  |                  |                   |                   |                  |                   |                  |                  |                  |                |
| <b>CONCRETE BREAKOUT STRENGTH IN SHEAR<sup>6,7</sup></b>  |                  |                                       |                         |                  |                  |                   |                   |                  |                   |                  |                  |                  |                |
| Load bearing length of anchor ( $h_{ef}$ or $8d_o$ , whichever is less)   | $\ell_e$         | in.<br>(mm)                           | 1.50<br>(38)            | 2.00<br>(51)     | 2.00<br>(51)     | 3.25<br>(83)      | 2.75<br>(70)      | 4.00<br>(102)    | 3.125<br>(79)     | 4.75<br>(114)    | 3.50<br>(88.9)   | 4.375<br>(111)   | 5.375<br>(137) |
| Nominal anchor diameter   | $d_a$            | in.<br>(mm)                           | 0.250<br>(6.4)          | 0.375<br>(9.5)   | 0.500<br>(12.7)  | 0.625<br>(15.9)   | 0.750<br>(19.1)   | 0.875<br>(22.2)  | 1.000<br>(25.4)   | 1.25<br>(31.8)   | 1.25<br>(31.8)   | 1.25<br>(31.8)   |                |
| Reduction factor for concrete breakout <sup>3</sup>   | $\phi$           | -                                     | 0.70 (Condition B)      |                  |                  |                   |                   |                  |                   |                  |                  |                  |                |
| <b>PRYOUT STRENGTH IN SHEAR<sup>6,7</sup></b>   |                  |                                       |                         |                  |                  |                   |                   |                  |                   |                  |                  |                  |                |
| Coefficient for prout strength  | $k_{cp}$         | -                                     | 1.0                     | 1.0              | 1.0              | 2.0               | 2.0               | 2.0              | 2.0               | 2.0              | 2.0              | 2.0              | 2.0            |
| Effective embedment   | $h_{ef}$         | in.<br>(mm)                           | 1.50<br>(38)            | 2.00<br>(51)     | 2.00<br>(51)     | 3.25<br>(83)      | 2.75<br>(70)      | 4.00<br>(102)    | 3.125<br>(79)     | 4.75<br>(114)    | 3.50<br>(88.9)   | 4.375<br>(111)   | 5.375<br>(137) |
| Reduction factor for prout strength <sup>3</sup>  | $\phi$           | -                                     | 0.70 (Condition B)      |                  |                  |                   |                   |                  |                   |                  |                  |                  |                |
| <b>STEEL STRENGTH IN SHEAR FOR SEISMIC APPLICATIONS</b>   |                  |                                       |                         |                  |                  |                   |                   |                  |                   |                  |                  |                  |                |
| Steel strength in shear, seismic <sup>8</sup>   | $V_{sa,eq}$      | lb<br>(kN)                            | Not Applicable          | 2,440<br>(10.9)  | 3,960<br>(17.6)  | 6,000<br>(26.7)   | 8,580<br>(38.2)   | 9,635<br>(42.9)  | 8,820<br>(39.2)   | 9,845<br>(43.8)  | 17,750<br>(79.0) | 17,750<br>(79.0) |                |
| Reduction factor for steel strength in shear for seismic <sup>3</sup>   | $\phi$           | -                                     | 0.65                    |                  |                  |                   |                   |                  |                   |                  |                  |                  |                |
| <b>STEEL STRENGTH IN SHEAR FOR ANCHORS INSTALLED THROUGH THE SOFFIT OF SAND-LIGHTWEIGHT AND NORMAL-WEIGHT CONCRETE OVER STEEL DECK<sup>9,10</sup></b> |                  |                                       |                         |                  |                  |                   |                   |                  |                   |                  |                  |                  |                |
| Steel strength in shear, concrete over steel deck (Figure 5A) <sup>9</sup>  | $V_{sa,deck}$    | lb<br>(kN)                            | Not Applicable          | 2,120<br>(9.4)   | 2,290<br>(10.2)  | 3,710<br>(16.5)   | 5,505<br>(24.5)   | Not Applicable   | Not Applicable    | Not Applicable   | Not Applicable   | Not Applicable   |                |
| Steel strength in shear, concrete over steel deck, seismic (Figure 5A) <sup>9</sup>   | $V_{sa,deck,eq}$ | lb<br>(kN)                            |                         | 2,120<br>(9.4)   | 2,290<br>(10.2)  | 3,710<br>(16.5)   | 4,570<br>(20.3)   |                  |                   |                  |                  |                  |                |
| Steel strength in shear, concrete over steel deck (Figure 5B) <sup>9</sup>  | $V_{sa,deck}$    | lb<br>(kN)                            |                         | 2,120<br>(9.4)   | 2,785<br>(12.4)  | Not Applicable    | Not Applicable    |                  |                   |                  |                  |                  |                |
| Steel strength in shear, concrete over steel deck, seismic (Figure 5B) <sup>9</sup>   | $V_{sa,deck,eq}$ | lb<br>(kN)                            |                         | 2,120<br>(9.4)   | 2,785<br>(12.4)  |                   |                   |                  |                   |                  |                  |                  |                |
| Reduction factor for steel strength in shear, steel deck <sup>3</sup>   | $\phi$           | -                                     | 0.65                    |                  |                  |                   |                   |                  |                   |                  |                  |                  |                |

For SI: 1 inch = 25.4 mm; 1 ksi = 6.894 N/mm<sup>2</sup>; 1 lbf = 0.0044 kN.

<sup>1</sup>The data in this table is intended to be used with the design provisions of ACI 318-14 Chapter 17 or ACI 318-11 Appendix D, as applicable; for anchors resisting seismic load combinations the additional requirements of ACI 318-14 17.2.3 or ACI 318-11 D.3.3, as applicable, must apply.

<sup>2</sup>Installation must comply with published instructions and details.

<sup>3</sup>All values of  $\phi$  were determined from the load combinations of IBC Section 1605.2, ACI 318-14 Section 5.3 or ACI 318-11 Section 9.2. If the load combinations of ACI 318-11 Appendix C are used, then the appropriate value of  $\phi$  must be determined in accordance with ACI 318-11 D.4.4. For reinforcement that meets ACI 318-14 Chapter 17 or ACI 318-11 Appendix D requirements for Condition A, see ACI 318-14 17.3.3(c) or ACI 318-11 D.4.3(c), as applicable, for the appropriate  $\phi$  factor when the load combinations of IBC Section 1605.2, ACI 318-14 Section 5.3 or ACI 318-11 Section 9.2, as applicable, are used.

<sup>4</sup>The Power-Stud+ SD1 is considered a ductile steel element as defined by ACI 318-14 2.3 or ACI 318-11 D.1, as applicable.

<sup>5</sup>Tabulated values for steel strength in shear must be used for design. These tabulated values are lower than calculated results using equation D-20 in ACI 318-08.

<sup>6</sup>Anchors are permitted to be used in lightweight concrete in accordance with Section 4.1.12 of this report.

<sup>7</sup>For anchors in the topside of concrete-filled steel deck assemblies, see Figure 4.

<sup>8</sup>Tabulated values for steel strength in shear are for seismic applications and based on test results in accordance with ACI 355.2, Section 9.6.

<sup>9</sup>Tabulated values for  $V_{sa,deck}$  and  $V_{sa,deck,eq}$  are for sand-lightweight concrete ( $f'_{c, min} = 3,000$  psi); additional lightweight concrete reduction factors need not be applied. In addition, evaluation for the concrete breakout capacity in accordance with ACI 318-14 17.5.2 or ACI 318-11 D.6.2, as applicable, and the prout capacity in accordance with ACI 318-14 17.5.3 or ACI 318-11 D.6.3, as applicable, are not required for anchors installed in the deck soffit (flute).

<sup>10</sup>Shear loads for anchors installed through steel deck into concrete may be applied in any direction.

TABLE 4—EXAMPLE ALLOWABLE STRESS DESIGN VALUES FOR ILLUSTRATIVE PURPOSES<sup>1,2,3,4,5,6,7,8,9</sup>

| Anchor Diameter (inches) | Nominal Embedment Depth (inches) | Effective Embedment (inches) | Allowable Tension Load (pounds) |
|--------------------------|----------------------------------|------------------------------|---------------------------------|
| 1/4                      | 1 3/4                            | 1.50                         | 970                             |
| 3/8                      | 2 3/8                            | 2.00                         | 1,260                           |
| 1/2                      | 2 1/2                            | 2.00                         | 1,415                           |
|                          | 3 3/4                            | 3.25                         | 2,425                           |
| 5/8                      | 3 3/8                            | 2.75                         | 2,405                           |
|                          | 4 5/8                            | 4.00                         | 4,215                           |
| 3/4                      | 4                                | 3.125                        | 2,910                           |
|                          | 5 5/8                            | 4.75                         | 5,455                           |
| 7/8                      | 4 1/2                            | 3.50                         | 3,450                           |
| 1                        | 5 1/2                            | 4.375                        | 4,820                           |
| 1 1/4                    | 6 1/2                            | 5.375                        | 7,385                           |

For SI: 1 inch = 25.4 mm, 1 lbf = 4.45 N.

<sup>1</sup>Single anchor with static tension load only.

<sup>2</sup>Concrete determined to remain uncracked for the life of the anchorage.

<sup>3</sup>Load combinations are taken from ACI 318-14 Section 5.3 or ACI 318-11 Section 9.2, as applicable (no seismic loading).

<sup>4</sup>30% dead load and 70% live load, controlling load combination 1.2D + 1.6L.

<sup>5</sup>Calculation of weighted average for conversion factor  $\alpha = 1.2(0.3) + 1.6(0.7) = 1.48$ .

<sup>6</sup> $f'_c = 2,500$  psi (normal weight concrete).

<sup>7</sup> $C_{a1} = C_{a2} \geq C_{ac}$ .

<sup>8</sup> $h \geq h_{min}$ .

<sup>9</sup>Values are for Condition B where supplementary reinforcement in accordance with ACI 318-14 17.3.3 or ACI 318-11 D.4.3, as applicable, is not provided.

Given: Calculate the factored resistance strength,  $\phi N_n$ , and the allowable stress design value,  $T_{allowable,ASD}$ , for a 3/8-inch-diameter Power-Stud+ SD1 anchor assuming the given conditions in Table 4.

| Calculation in accordance with ACI 318-14, ACI 318-11 Appendix D and this report:  | 318-14 Ref. | 318-11 Ref. | Report Ref. |
|--|-------------|-------------|-------------|
| Step 1. Calculate steel strength of a single anchor in tension:<br>$\phi N_{sa} = (0.75)(5,455) = 4,091 \text{ lbs.}$  | 17.4.1.2    | D.5.1.2     | Table 2     |
| Step 2. Calculate concrete breakout strength of a single anchor in tension:<br>$\phi N_{cb} = \phi \frac{A_{Nc}}{A_{Nc0}} \psi_{ed,N} \psi_{c,N} \psi_{cp,N} N_b$ $N_b = k_c \lambda_\alpha \sqrt{f'_c} (h_{ef})^{1.5}$ $N_b = (24)(1.0) \sqrt{2,500} (2.0)^{1.5} = 3,394 \text{ lbs.}$ $\phi N_{cb} = (0.65) \frac{(36.0)}{(36.0)} (1.0)(1.0)(1.0)(3,394) = 2,206 \text{ lbs.}$ | 17.4.2.1    | D.5.2.1     | Table 2     |
| Step 3. Calculate pullout strength of a single anchor:<br>$\phi N_{pn} = \phi N_{p,uncr} \psi_{c,P} \left( \frac{f'_{c,act}}{2,500} \right)^n$ $\phi N_{pn} = (0.65)(2,865)(1.0)(1.0)^{0.5} = 1,862 \text{ lbs.}$  | 17.4.3.2    | D.5.3.2     | Table 2     |
| Step 4. Determine controlling factored resistance strength in tension:<br>$\phi N_n = \min[\phi N_{sa}, \phi N_{cb}, \phi N_{pn}] = \phi N_{pn} = 1,862 \text{ lbs.}$  | 17.3.1.1    | D.4.1.1     | -           |
| Step 5. Calculate allowable stress design conversion factor for loading condition:<br>Controlling load combination: 1.2D + 1.6L<br>$\alpha = 1.2(30\%) + 1.6(70\%) = 1.48$   | 5.3         | 9.2         | -           |
| Step 6. Calculate the converted allowable stress design value:<br>$T_{allowable,ASD} = \frac{\phi N_n}{\alpha} = \frac{1,862}{1.48} = 1,258 \text{ lbs.}$  | -           | -           | Section 4.2 |

FIGURE 6—EXAMPLE STRENGTH DESIGN CALCULATION INCLUDING ASD CONVERSION FOR ILLUSTRATIVE PURPOSES

## ICC-ES Evaluation Report

## ESR-2818 LABC and LARC Supplement

Issued December 2017

This report is subject to renewal December 2018.

[www.icc-es.org](http://www.icc-es.org) | (800) 423-6587 | (562) 699-0543

A Subsidiary of the International Code Council®

**DIVISION: 03 00 00—CONCRETE**  
**Section: 03 16 00—Concrete Anchors**  
**DIVISION: 05 00 00—METALS**  
**Section: 05 05 19—Post-Installed Concrete Anchors**

### REPORT HOLDER:

**DEWALT**  
701 EAST JOPPA ROAD  
TOWSON, MARYLAND 21286  
(800) 524-3244  
[www.dewalt.com](http://www.dewalt.com)  
[anchors@dewalt.com](mailto:anchors@dewalt.com)

### EVALUATION SUBJECT:

**POWER-STUD® + SD1 EXPANSION ANCHORS FOR CRACKED AND UNCRACKED CONCRETE (DEWALT / POWERS)**

### 1.0 REPORT PURPOSE AND SCOPE

#### Purpose:

The purpose of this evaluation report supplement is to indicate that Power-Stud+ SD1 Expansion Anchors for cracked and uncracked concrete, described in ICC-ES master evaluation report [ESR-2818](#), have also been evaluated for compliance with the codes noted below as adopted by the Los Angeles Department of Building and Safety (LADBS).

#### Applicable code editions:

- 2017 *City of Los Angeles Building Code* (LABC)
- 2017 *City of Los Angeles Residential Code* (LARC)

### 2.0 CONCLUSIONS

The Power-Stud+ SD1 Expansion Anchors for cracked and uncracked concrete, described in Sections 2.0 through 7.0 of the master evaluation report [ESR-2818](#), comply with the LABC Chapter 19, and the LARC, and are subject to the conditions of use described in this supplement.

### 3.0 CONDITIONS OF USE

The Power-Stud+ SD1 Expansion Anchors for cracked and uncracked concrete described in this evaluation report must comply with all of the following conditions:

- All applicable sections in the master evaluation report [ESR-2818](#).
- The design, installation, conditions of use and identification of the anchors are in accordance with the 2015 *International Building Code*® (2015 IBC) provisions noted in the master evaluation report [ESR-2818](#).
- The design, installation and inspection are in accordance with additional requirements of LABC Chapters 16 and 17, as applicable.
- Under the LARC, an engineered design in accordance with LARC Section R301.1.3 must be submitted.
- The allowable and strength design values listed in the master evaluation report and tables are for the connection of the anchors to the concrete. The connection between the anchors and the connected members shall be checked for capacity (which may govern).

This supplement expires concurrently with the master report, reissued December 2017.

## ICC-ES Evaluation Report

## ESR-2818 FBC Supplement

Reissued December 2017

This report is subject to renewal December 2018.

[www.icc-es.org](http://www.icc-es.org) | (800) 423-6587 | (562) 699-0543

A Subsidiary of the International Code Council®

**DIVISION: 03 00 00—CONCRETE**

**Section: 03 16 00—Concrete Anchors**

**DIVISION: 05 00 00—METALS**

**Section: 05 05 19—Post-Installed Concrete Anchors**

### REPORT HOLDER:

**DEWALT**

**701 EAST JOPPA ROAD**

**TOWSON, MARYLAND 21286**

**(800) 524-3244**

[www.dewalt.com](http://www.dewalt.com)

[anchors@dewalt.com](mailto:anchors@dewalt.com)

### EVALUATION SUBJECT:

**POWER-STUD® + SD1 EXPANSION ANCHORS FOR CRACKED AND UNCRACKED CONCRETE (DEWALT / POWERS)**

### 1.0 REPORT PURPOSE AND SCOPE

#### Purpose:

The purpose of this evaluation report supplement is to indicate that the Powers Power-Stud+ SD1 Expansion Anchors in uncracked concrete only [ $1/4$  inch (6.4 mm)] and in cracked and uncracked concrete [ $3/8$  inch to  $1 1/4$  inches (9.5 mm to 31.8 mm)], recognized in ICC-ES master evaluation report ESR-2818, have also been evaluated for compliance with the codes noted below.

#### Applicable code editions:

- 2014 *Florida Building Code—Building*
- 2014 *Florida Building Code—Residential*

### 2.0 CONCLUSIONS

The Powers Power-Stud+ SD1 Expansion Anchors in uncracked concrete only [ $1/4$  inch (6.4 mm)] and in cracked and uncracked concrete [ $3/8$  inch to  $1 1/4$  inches (9.5 mm to 31.8 mm)], described in master evaluation report ESR-2818, comply with the 2014 *Florida Building Code—Building* and the 2014 *Florida Building Code—Residential*, when designed and installed in accordance with the 2012 *International Building Code*® provisions noted in the master report, and under the following conditions:

- Design wind loads must be based on Section 1609 of the 2014 *Florida Building Code—Building* or Section R301.2.1.1 of the 2014 *Florida Building Code—Residential*, as applicable.
- Load combinations must be in accordance with Section 1605.2 or Section 1605.3 of the 2014 *Florida Building Code—Building*, as applicable.

Use of the Powers Power-Stud+ SD1 Expansion Anchors in uncracked concrete only [ $1/4$  inch (6.4 mm)] and in cracked and uncracked concrete [ $3/8$  inch to  $1 1/4$  inches (9.5 mm to 31.8 mm)], for compliance with the High-Velocity Hurricane Zone Provisions of the 2014 *Florida Building Code—Building* and the 2014 *Florida Building Code—Residential*, has not been evaluated, and is outside the scope of this supplement.

For products falling under Florida Rule 9N-3, verification that the report holder's quality assurance program is audited by a quality-assurance entity approved by the Florida Building Commission for the type of inspections being conducted is the responsibility of an approved validation entity (or the code official when the report holder does not possess an approval by the Commission).

This supplement expires concurrently with the master report reissued December 2017.