



Most Widely Accepted and Trusted

ICC-ES Evaluation Report

ESR-3068

ICC-ES | (800) 423-6587 | (562) 699-0543 | www.icc-es.org

Reissued 07/2017
This report is subject to renewal 07/2018.

DIVISION: 03 00 00—CONCRETE

SECTION: 03 16 00—CONCRETE ANCHORS

DIVISION: 05 00 00—METALS

SECTION: 05 05 19—POST-INSTALLED CONCRETE ANCHORS

REPORT HOLDER:

DEWALT

701 EAST JOPPA ROAD
TOWSON, MARYLAND 21286

EVALUATION SUBJECT:

TAPPER+® SCREW ANCHORS IN UNCRACKED CONCRETE (DEWALT / POWERS)



Look for the trusted marks of Conformity!

“2014 Recipient of Prestigious Western States Seismic Policy Council (WSSPC) Award in Excellence”



A Subsidiary of  INTERNATIONAL CODE COUNCIL™

ICC-ES Evaluation Reports are not to be construed as representing aesthetics or any other attributes not specifically addressed, nor are they to be construed as an endorsement of the subject of the report or a recommendation for its use. There is no warranty by ICC Evaluation Service, LLC, express or implied, as to any finding or other matter in this report, or as to any product covered by the report.



ICC-ES Evaluation Report

ESR-3068

Reissued July 2017

This report is subject to renewal July 2018.

www.icc-es.org | (800) 423-6587 | (562) 699-0543

A Subsidiary of the International Code Council®

DIVISION: 03 00 00—CONCRETE
Section: 03 16 00—Concrete Anchors

DIVISION: 05 00 00—METALS
Section: 05 05 19—Post-Installed Concrete Anchors

REPORT HOLDER:

DEWALT
701 EAST JOPPA ROAD
TOWSON, MARYLAND 21286
(800) 524-3244
www.dewalt.com
engineering@powers.com

ADDITIONAL LISTEES:

POWERS FASTENERS
701 EAST JOPPA ROAD
TOWSON, MARYLAND 21286
www.powers.com
(800) 524-3244

ALL POINTS SCREW, BOLT & SPECIALTY
1590 NW 27TH AVENUE, #9
POMPANO BEACH, FLORIDA 33069
greg.mann@hillmangroup.com

L.H. DOTTIE
6131 SOUTH GARFIELD AVENUE
COMMERCE, CALIFORNIA 90040
lane@lhdottie.com

THE HILLMAN GROUP
10590 HAMILTON AVENUE
CINCINNATI, OHIO 45231
info@hillmangroup.com

EVALUATION SUBJECT:

TAPPER+® SCREW ANCHORS IN UNCRACKED CONCRETE (DEWALT / POWERS)

1.0 EVALUATION SCOPE

Compliance with the following codes:

- 2015, 2012, 2009 and 2006 *International Building Code*® (IBC)
- 2015, 2012, 2009 and 2006 *International Residential Code*® (IRC)

Property evaluated:

Structural

2.0 USES

The Tapper+ screw anchors are used to resist static and wind tension and shear loads in uncracked normal-weight concrete having a specified compressive strength, f_c , of 2,500 psi to 8,500 psi (17.2 MPa to 58.6 MPa).

The anchoring system is an alternative to anchors described in Section 1901.3 of the 2015 IBC, Sections 1908 and 1909 of the 2012 IBC, and Sections 1911 and 1912 of the 2009 and 2006 IBC. The anchors may also be used where an engineered design is submitted in accordance with Section R301.1.3 of the IRC.

3.0 DESCRIPTION

3.1 Tapper+ Anchors:

Tapper+ screw anchors are comprised of a one-piece threaded anchor body with either a hex head, slotted hex head, phillips flat head or trim flat head.

Product names for the report holder and the additional listees are presented in Table A of this report. Available nominal sizes are $\frac{3}{16}$ inch, $\frac{1}{4}$ inch and $\frac{5}{16}$ inch (4.8, 6.4 and 7.9 mm). The anchors are manufactured from low-carbon steel that is case hardened and have a Perma-Seal® coating available in various colors. The Tapper+ screw anchor is illustrated in Figure 2 of this report.

The anchor body is formed with alternating high-low threads and a gimlet point tip. The anchors are installed in a predrilled hole with a powered tool during which the threads on the anchor body tap into the sides of the predrilled hole and interlock with the base material during installation.

3.2 Concrete:

Normal-weight and lightweight concrete must comply with Sections 1903 and 1905 of the IBC.

4.0 DESIGN AND INSTALLATION

4.1 Strength Design:

4.1.1 General:

Design strength of anchors complying with the 2015 IBC, as well as Section R301.1.3 of the 2015 IRC must be determined in accordance with ACI 318-14 Chapter 17 and this report.

Design strength of anchors complying with the 2012 IBC, as well as Section R301.1.3 of the 2012 IRC, must be determined in accordance with ACI 318-11 Appendix D and this report.

Design strength of anchors complying with the 2009 IBC, as well as Section R301.1.3 of the 2009 IRC, must be

determined in accordance with ACI 318-08 Appendix D, and this report.

Design strength of anchors complying with the 2006 IBC and Section R301.1.3 of the 2006 IRC must be determined in accordance with ACI 318-05 Appendix D and this report.

A design example according to ACI 318-14 and ACI 318-11 is given in Figure 4 of this report.

Design parameters are based on the 2015 IBC (ACI 318-14) and 2012 IBC (ACI 318-11) unless noted otherwise in Sections 4.1.1 through 4.1.11 of this report.

The strength design of anchors must comply with ACI 318-14 17.3.1 or ACI 318-11 D.4.1, as applicable, except as required in ACI 318-14 17.2.3 or ACI 318-11 D.3.3, as applicable.

Strength reduction factors, ϕ , as given in ACI 318-14 17.3.3 or ACI 318-11 D.4.3, as applicable, and noted in Tables 3 and 4, must be used for load combinations calculated in accordance with Section 1605.2 of the IBC, Section 5.3 of ACI 318-14 or Section 9.2 of ACI 318-11. Strength reduction factors, ϕ , as given in ACI 318-11 D.4.4 must be used for load combinations calculated in accordance with ACI 318-11 Appendix C.

The value of f'_c is limited to 8,000 psi (55.2 MPa), maximum, in accordance with ACI 318-14 17.2.7 or ACI 318-11 Section D.3.7, as applicable.

4.1.2 Requirements for Static Steel Strength in Tension, N_{sa} : The nominal static steel strength of a single anchor in tension, N_{sa} , calculated in accordance with ACI 318-14 17.4.1.2 or ACI 318-11 D.5.1.2, as applicable, is given in Table 3 of this report.

4.1.3 Requirements for Static Concrete Breakout Strength in Tension, N_{cb} or N_{cbg} : The nominal concrete breakout strength of a single anchor or a group of anchors in tension, N_{cb} or N_{cbg} , respectively, must be calculated in accordance with ACI 318-14 17.4.2 or ACI 318-11 D.5.2, as applicable, with modifications as described in this section. The basic concrete breakout strength of a single anchor in tension, N_b , must be calculated according to ACI 318-14 17.4.2.2 or ACI 318-11 D.5.2.2, as applicable, using the values of h_{ef} and k_{uncr} as given in Table 3 of this report, in lieu of h_{ef} and k_c , respectively. The value of $\psi_{c,N} = 1.0$.

4.1.4 Requirements for Static Pullout Strength in Tension, N_{pn} : The nominal pullout strength of a single anchor in accordance with ACI 318-14 17.4.3.1 and 17.4.3.2 or ACI 318-11 D.5.3.1 and D.5.3.2, respectively, as applicable, in uncracked concrete, $N_{p,uncr}$, is given in Table 3 of this report. In lieu of ACI 318-14 17.4.3.6 or ACI 318-11 D.5.3.6, as applicable, $\psi_{c,P} = 1.0$ for all design cases. The nominal pullout strength can be adjusted by calculation according to Eq-1:

$$N_{pn,fc} = N_{p,uncr} \left(\frac{f'_c}{2,500} \right)^n \text{ (lb, psi)} \quad (\text{Eq-1})$$

$$N_{pn,fc} = N_{p,uncr} \left(\frac{f'_c}{17.2} \right)^n \text{ (N, MPa)}$$

where f'_c is the specified concrete compressive strength and whereby the exponent $n = 0.3$ for $3/16$ -inch-diameter (4.8 mm) anchors, $n = 0.4$ for $1/4$ -inch-diameter (6.4 mm) anchors and $n = 0.5$ for $5/16$ -inch-diameter (7.9 mm) anchors.

4.1.5 Requirements for Static Steel Shear Strength, V_{sa} : The nominal steel strength in shear, V_{sa} , of a single

anchor in accordance with ACI 318-14 17.5.1.2 or ACI 318-11 D.6.1.2, as applicable is given in Table 4 of this report and must be used in lieu of the values derived by calculation from ACI 318-14 Eq. 17.5.1.2b or ACI 318-11 Eq. D-29, as applicable.

4.1.6 Requirements for Static Concrete Breakout Strength in Shear, V_{cb} or V_{cbg} : The nominal concrete breakout strength of a single anchor or group of anchors in shear, V_{cb} or V_{cbg} , respectively, must be calculated in accordance with ACI 318-14 17.5.2 or ACI 318-11 D.6.2, as applicable, with modifications as described in this section. The basic concrete breakout strength of a single anchor in shear, V_b , must be calculated in accordance with ACI 318-14 17.5.2.2 or ACI 318-11 D.6.2.2, as applicable, using the value of ℓ_e and d_a (d_o) given in Table 4 of this report.

4.1.7 Requirements for Static Concrete Pryout Strength in Shear, V_{cp} or V_{cpg} : The nominal concrete pryout strength of a single anchor or group of anchors, V_{cp} or V_{cpg} , respectively, must be calculated in accordance with ACI 318-14 17.5.3 or ACI 318-11 D.6.3, as applicable, modified by using the value of k_{cp} provided in Table 4 and the value of N_{cb} or N_{cbg} as calculated in Section 4.1.3 of this report.

4.1.8 Requirements for Interaction of Tensile and Shear Forces: For loadings that include combined tension and shear, the design must be performed in accordance with ACI 318-14 17.6 or ACI 318-11 Section D.7, as applicable.

4.1.9 Requirements for Critical Edge Distance, c_{ac} : In applications where $c < c_{ac}$ and supplemental reinforcement to control splitting of the concrete is not present, the concrete breakout strength in tension for uncracked concrete, calculated according to ACI 318-14 17.4.2 or ACI 318-11 D.5.2, as applicable, must be further multiplied by the factor $\psi_{cp,N}$ given by Eq-2:

$$\psi_{cp,N} = \frac{c}{c_{ac}} \quad (\text{Eq-2})$$

whereby the factor $\psi_{cp,N}$ need not be taken less than $\frac{1.5h_{ef}}{c_{ac}}$.

For all other cases, $\psi_{cp,N} = 1.0$. In lieu of using ACI 318-14 17.7.6 or ACI 318-11 D.8.6, as applicable, values of c_{ac} provided in Table 3 of this report must be used.

4.1.10 Requirements for Minimum Member Thickness, Minimum Anchor Spacing and Minimum Edge Distance: In lieu of ACI 318-14 17.7.1 and 17.7.3 or ACI 318-11 D.8.1 and D.8.3, respectively, as applicable, values of s_{min} and c_{min} must comply with Table 1 of this report. In lieu of ACI 318-14 17.7.5 or ACI 318-11 D.8.5, as applicable, minimum member thicknesses, h_{min} , must comply with in Table 1 of this report.

4.1.11 Lightweight Concrete: For the use of anchors in lightweight concrete, the modification factor λ_a equal to 0.8λ is applied to all values of $\sqrt{f'_c}$ affecting N_n and V_n .

For ACI 318-14 (2015 IBC), ACI 318-11 (2012 IBC) and ACI 318-08 (2009 IBC), λ shall be determined in accordance with the corresponding version of ACI 318.

For ACI 318-05 (2006 IBC), λ shall be taken as 0.75 for all lightweight concrete and 0.85 for sand-lightweight concrete. Linear interpolation shall be permitted if partial sand replacement is used. In addition, the pullout strengths

$N_{p,unc}$ shall be multiplied by the modification factor, λ_a , as applicable.

4.2 Allowable Stress Design (ASD):

4.2.1 General: Design values for use with allowable stress design (working stress design) load combinations in accordance with Section 1605.3 of the IBC are required, these are calculated using Eq-3 and Eq-4 as follow:

$$T_{allowable,ASD} = \frac{\phi N_n}{\alpha} \quad (\text{Eq-3})$$

$$V_{allowable,ASD} = \frac{\phi V_n}{\alpha} \quad (\text{Eq-4})$$

where:

$T_{allowable,ASD}$ = Allowable tension load (lbf or kN)

$V_{allowable,ASD}$ = Allowable shear load (lbf or kN)

ϕN_n = Lowest design strength of an anchor or anchor group in tension as determined in accordance with ACI 318-14 Chapter 17 and 2015 IBC Section 1905.1.8, ACI 318-11 Appendix D, ACI 318-08 Appendix D and 2009 IBC Section 1908.1.16, ACI 318-05 Appendix D and 2006 IBC Section 1908.1.16, and Section 4.1 of this report, as applicable (lbf or kN).

ϕV_n = Lowest design strength of an anchor or anchor group in shear as determined in accordance with ACI 318-14 Chapter 17 and 2015 IBC Section 1905.1.8, ACI 318-11 Appendix D, ACI 318-08 Appendix D and 2009 IBC Section 1908.1.9, ACI 318-05 Appendix D and 2006 IBC Section 1908.1.16, and Section 4.1 of this report, as applicable (lbf or kN).

α = Conversion factor calculated as a weighted average of the load factors for the controlling load combination. In addition, α must include all applicable factors to account for nonductile failure modes and required over-strength.

The requirements for member thickness, edge distance and anchor spacing, described in this report, must apply. An example of allowable stress design tension values for illustrative purposes is shown in Table 5 of this report.

4.2.2 Interaction of Tensile and Shear Forces: The interaction must be calculated, as follows:

For shear loads $V \leq 0.2V_{allowable,ASD}$, the full allowable load in tension $T_{allowable,ASD}$ must be permitted.

For tension loads $T \leq 0.2T_{allowable,ASD}$, the full allowable load in shear $V_{allowable,ASD}$ must be permitted.

$$\text{For all other cases: } \frac{T}{T_{allowable,ASD}} + \frac{V}{V_{allowable,ASD}} \leq 1.2 \quad (\text{Eq-5})$$

4.3 Installation:

Installation parameters are provided in Table 1 and Figure 1 of this report. Anchor locations must comply with this report and plans and specifications approved by the code official. The Tapper+ must be installed according to manufacturer's published installation instructions and this report. Anchors

must be installed in holes drilled using carbide-tipped masonry drill bits (Tapper+ bit) supplied by Fasteners, and complying with the tolerances given in Table 1 of this report. The nominal Tapper+ bit diameter must be equal to the nominal anchor size. The minimum drilled hole depth must comply with Table 1 of this report. Dust and debris must be removed from the hole using a hand pump, compressed air or a vacuum. The anchor must be driven into the predrilled hole using a Tapper 1000 installation socket tool (hex head versions) with phillips bit tip (flat head versions) and a percussion drill set to rotary only mode until the minimum nominal embedment depth is achieved.

4.4 Special Inspection:

Special inspection is required in accordance with Section 1705.1.1 and Table 1705.3 of the 2015 and 2012 IBC; or Section 1704.15 and Table 1704.4 of the 2009 IBC; or Section 1704.13 of the 2006, as applicable. The special inspector must make periodic inspections during anchor installation to verify anchor type, anchor dimensions, concrete type, concrete compressive strength, hole dimensions, hole cleaning procedure, drill bit size and type, anchor spacing, edge distances, concrete member thickness, anchor embedment and adherence to the manufacturer's printed installation instructions. The special inspector must be present as often as required in accordance with the "statement of special inspection."

5.0 CONDITIONS OF USE

The Tapper+ screw anchors described in this report are suitable alternatives to what is specified in, those codes listed in Section 1.0 of this report, subject to the following conditions:

- 5.1** The anchors must be installed in accordance with the manufacturer's published installation instructions and this report. In case of a conflict, this report governs.
- 5.2** Anchor sizes, dimensions, and minimum embedment depths are as set forth in this report.
- 5.3** Anchors must be installed in uncracked normal-weight concrete and lightweight concrete having a specified compressive strength, f'_c , of 2,500 psi to 8,500 psi (17.2 MPa to 58.6 MPa).
- 5.4** The values of f'_c used for calculation purposes must not exceed 8,000 psi (55.2 MPa).
- 5.5** Strength design values must be established in accordance with Section 4.1 of this report.
- 5.6** Allowable design values must be established in accordance with Section 4.2 of this report.
- 5.7** Anchor spacing(s) and edge distance(s), and minimum member thickness, must comply with Table 1 of this report, unless otherwise noted.
- 5.8** Prior to installation, calculations and details demonstrating compliance with this report must be submitted to the code official. The calculations and details must be prepared by a registered design professional where required by the statutes of the jurisdiction in which the project is to be constructed.
- 5.9** Since an ICC-ES acceptance criteria for evaluating data to determine the performance of anchors subjected to fatigue or shock loading is unavailable at this time, the use of these anchors under such conditions is beyond the scope of this report.
- 5.10** Anchors must not be installed in regions of concrete where cracking has occurred or where analysis

indicates cracking may occur ($f_t > f_r$), subject to the conditions of this report.

- 5.11 The anchors may be used to resist short-term loading due to wind, and for seismic load combinations are limited to locations designated as Seismic Design Categories A and B under the IBC, subject to the conditions of this report.
- 5.12 Anchors are not permitted to support fire-resistance-rated construction. Where not otherwise prohibited by code, anchors are permitted for installation in fire-resistance-rated construction provided that at least one of the following conditions is fulfilled:
 - Anchors that support gravity load-bearing structural elements are within a fire-resistance-rated envelope or a fire-resistance-rated membrane, are protected by approved fire-resistance-rated materials, or have been evaluated for resistance to fire exposure in accordance with recognized standards.
 - Anchors are used to resist wind or seismic forces only.
 - Anchors are used to support nonstructural elements.
- 5.13 Anchors have been evaluated for reliability against brittle failure and found to be not significantly sensitive to stress-induced hydrogen embrittlement.

- 5.14 Use of anchors is limited to dry, interior locations.
- 5.15 Special inspection must be provided in accordance with Section 4.4.
- 5.16 Anchors are manufactured under an approved quality control program with inspections by ICC-ES.

6.0 EVIDENCE SUBMITTED

- 6.1 Data in accordance with the ICC-ES Acceptance Criteria for Mechanical Anchors in Concrete Elements (AC193), dated October 2015, which incorporates requirements in ACI 355.2-07 / ACI 355.2-04, for use in uncracked concrete.
- 6.2 Quality control documentation.

7.0 IDENTIFICATION

The Tapper+ anchors are identified in the field by dimensional characteristics and packaging. A length letter code is stamped on each anchor head along with a plus sign “+”. A star sign “*” is also marked on all ⁵/₁₆-inch-diameter anchors. Packages are identified with the anchor name; part number; type; anchor size and length; quantity; the company name as set forth in Table A of this report; and the evaluation report number (ESR-3068).

TABLE A—PRODUCT NAMES BY COMPANY

COMPANY NAME	PRODUCT NAME
DEWALT	Tapper+
Powers Fasteners	Tapper+
All Points Screw, Bolt & Specialty	AP Tapper+
L. H. Dottie	Dottie Tapper+
The Hillman Group	Hillman Tapper+

TABLE B—MEAN AXIAL STIFFNESS VALUES, β , FOR TAPPER+ SCREW ANCHOR IN NORMAL-WEIGHT CONCRETE¹

Concrete State	Units	Nominal Anchor Size		
		³ / ₁₆ inch	¹ / ₄ inch	⁵ / ₁₆ inch
Uncracked concrete	10 ³ lbf/in. (kN/mm)	50.9 (8.9)	84.6 (14.8)	400 (70.0)

¹Mean values shown; actual stiffness varies considerably depending on concrete strength, loading and geometry of application.

TABLE 1—TAPPER+ SCREW ANCHOR INSTALLATION SPECIFICATIONS¹

Anchor Property / Setting Information	Symbol	Units	Nominal Anchor Size (inch)		
			³ / ₁₆	¹ / ₄	⁵ / ₁₆
Nominal outside anchor diameter	d_a (d_o) ³	in. (mm)	0.145 (3.7)	0.185 (4.7)	0.250 (6.4)
Nominal drill bit diameter	d_{bit}	in.	³ / ₁₆ Tapper+ bit	¹ / ₄ Tapper+ bit	⁵ / ₁₆ Tapper+ bit
Tapper+ bit tolerance range	-	in.	0.170 to 0.176	0.202 to 0.207	0.255 to 0.259
Nominal embedment depth	h_{nom}	in. (mm)	¹ / ₄ (44)	³ / ₄ (44)	¹ / ₈ (48)
Effective embedment	h_{ef}	in. (mm)	1.23 (32.2)	1.23 (32.2)	1.10 (28.0)
Minimum member thickness	h_{min}	in. (mm)	³ / ₄ (83)	³ / ₄ (83)	³ / ₄ (83)
Critical edge distance	c_{ac}	in. (mm)	3 (76)	3 (76)	² / ₂ (64)
Minimum edge distance	c_{min}	in. (mm)	¹ / ₄ (44)	³ / ₄ (44)	¹ / ₂ (38)
Minimum spacing distance	s_{min}	in. (mm)	1 (25)	2 (51)	2 (51)
Minimum hole depth ⁴	h_o	in. (mm)	$h_{nom} + \frac{1}{4}$ (6.4)	$h_{nom} + \frac{1}{4}$ (6.4)	$h_{nom} + \frac{1}{4}$ (6.4)
Minimum overall anchor length ²	ℓ_{anch}	in. (mm)	² / ₄ (57)	² / ₄ (57)	2 (51)
Maximum impact wrench power (torque)	T_{screw}	ft.-lb. (N-m)	Not applicable	Not applicable	115 (156)
Hex head wrench / socket size	d_h	in.	¹ / ₄	⁵ / ₁₆	⁵ / ₁₆
Hex head height	-	in.	⁷ / ₆₄	⁹ / ₆₄	⁹ / ₆₄
Phillips flat head bit tip size	-	No.	2	3	3

For SI: 1 inch = 25.4 mm, 1 ft-lb = 1.356 N-m.

¹The information presented in this table is to be used in conjunction with the design criteria of ACI 318-14 Chapter 17 or ACI 318-11 Appendix D, as applicable. See Figure 1 for location of dimensions.

²The listed minimum overall anchor length is based on anchor sizes commercially available at the time of publication compared with the requirements to achieve the minimum nominal embedment depth and consideration of a fixture attachment. See the anchor detail (Figure 1) for hex head Tapper+; the overall anchor length for the flat head versions of the Tapper+ are measured from the top of the head to the tip of the anchor.

³The notation in parenthesis is for the 2006 IBC.

⁴The actual minimum hole depth can be calculated as $h_o = \ell_{anch} - t + \frac{1}{4}$ inch.

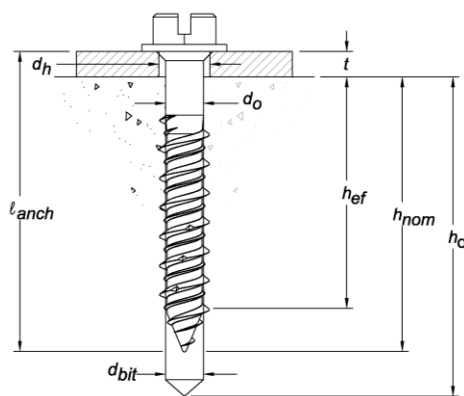


FIGURE 1—TAPPER+ ANCHOR DETAIL (slotted hex head version pictured)

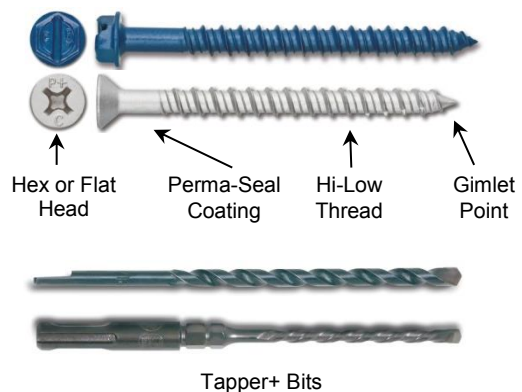
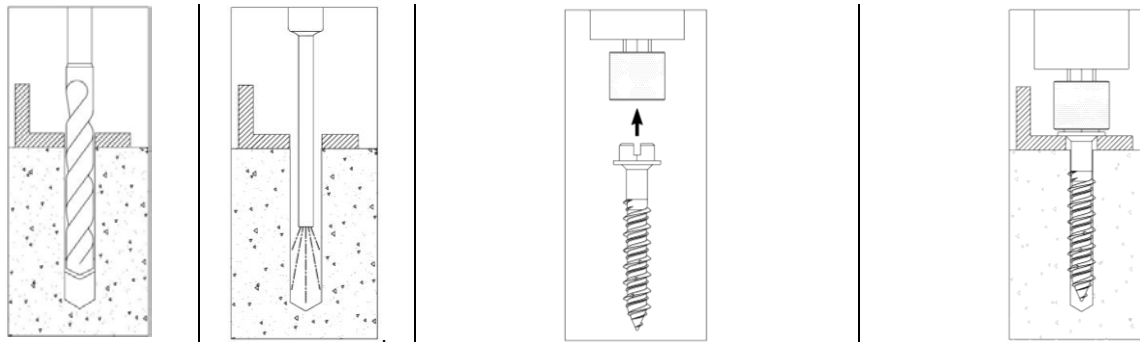


FIGURE 2—TAPPER+ ANCHOR AND TAPPER+ BITS (slotted hex head and flat head versions pictured)

TABLE 2—TAPPER+ LENGTH CODE IDENTIFICATION SYSTEM

Length ID marking on head	□	A	B	C	D	E	F	G	H	I	J	
Overall anchor length, ℓ_{anch} , (inches)	From	1	1 ¹ / ₂	2	2 ¹ / ₂	3	3 ¹ / ₂	4	4 ¹ / ₂	5	5 ¹ / ₂	6
	Up to but not including	1 ¹ / ₂	2	2 ¹ / ₂	3	3 ¹ / ₂	4	4 ¹ / ₂	5	5 ¹ / ₂	6	6 ¹ / ₂



1.) Using the proper Tapper+ drill bit size, drill a hole into the base material to the required depth. The tolerances of the Tapper+ bit used must meet the requirements of the published range in Table 1.

2.) Remove dust and debris from hole using a hand pump, compressed air or a vacuum to remove loose particles left from drilling.

3.) For 3/16 inch and 1/4 inch sizes, attach a Tapper 1000 installation socket tool for the selected anchor size to a percussion drill and set the drill to rotary impact mode. Mount the screw anchor head into the socket. For flat head versions a phillips bit tip must be used with the socket tool. For the 5/16 inch size, select a powered impact wrench that does not exceed the maximum torque, T_{screw} , for the selected anchor diameter (see Table 1). Attach an appropriate sized hex socket to the impact wrench. Mount the screw anchor head into the socket.

4.) For 3/16 inch and 1/4 inch sizes, place the point of the Tapper+ anchor through the fixture into the predrilled hole and drive the anchor until it is fully seated at the proper embedment. The socket tool will automatically disengage from the head of the Tapper+. For the 5/16 inch size, drive the anchor with an impact wrench through the fixture and into the hole until the head of the anchor comes into contact with the fixture. The anchor must be snug after installation. Do not spin the hex socket off the anchor to disengage.

FIGURE 3—TAPPER+ INSTALLATION INSTRUCTIONS

TABLE 3—TENSION DESIGN INFORMATION FOR TAPPER+ ANCHORS IN CONCRETE
(For use with load combinations taken from ACI 318-14 Section 5.3 or ACI 318-11 Section 9.2, as applicable)^{1,2}

Design Characteristic	Notation	Units	Nominal Anchor Size (inch)		
			3/16	1/4	5/16
Anchor category	1, 2 or 3	-	1	1	1
Nominal embedment depth	h_{nom}	in. (mm)	1 3/4 (44)	1 3/4 (44)	1 7/8 (48)
STEEL STRENGTH IN TENSION⁴					
Minimum specified ultimate strength	f_{uta}	ksi (N/mm ²)	100.0 (689)	100.0 (689)	100.0 (689)
Effective tensile stress area	$A_{se,N}$ [A_{se}] ⁸	in ² (mm ²)	0.0162 (10.5)	0.0268 (17.3)	0.0440 (28.4)
Steel strength in tension	N_{sa}	lbf (kN)	1,620 (7.2)	2,680 (11.9)	4,400 (19.6)
Reduction factor for steel strength ³	ϕ	-	0.65		
CONCRETE BREAKOUT IN TENSION⁷					
Effective embedment	h_{ef}	in. (mm)	1.23 (31)	1.23 (31)	1.10 (28)
Effectiveness factor for uncracked concrete	k_{unscr}	-	24	24	24
Modification factor for concrete ⁵	$\psi_{c,N}$	-	1.0 (see note 5)	1.0 (see note 5)	1.0 (see note 5)
Critical edge distance	c_{ac}	in. (mm)	3 (76)	3 (76)	2.5 (64)
Reduction factor for concrete breakout strength ³	ϕ	-	0.65 (Condition B)		
PULLOUT STRENGTH IN TENSION⁷					
Characteristic pullout strength, uncracked concrete (2,500 psi) ⁶	$N_{p,unscr}$	lbf (kN)	635 (2.8)	940 (4.2)	See note 9
Reduction factor for pullout strength ³	ϕ	-	0.65 (Condition B)		

For SI: 1 inch = 25.4 mm, 1 ksi = 6.895 N/mm², 1 lbf = 0.0044 kN.

¹The data in this table is intended to be used with the design provisions of ACI 318-14 Chapter 17 or ACI 318-11 Appendix D, as applicable.

²Installation must comply with published instructions and details.

³All values of ϕ were determined from the load combinations of IBC Section 1605.2, ACI 318-14 Section 5.3 or ACI 318-11 Section 9.2, as applicable. If the load combinations of ACI 318-11 Appendix C are used, the appropriate value of ϕ must be determined in accordance with ACI 318-11 D.4.4. For reinforcement that meets ACI 318-14 Chapter 17 or ACI 318-11 Appendix D, as applicable, requirements for Condition A, see ACI 318-14 17.3.3 or ACI 318-11 D.4.3, as applicable, for the appropriate ϕ factor.

⁴The Tapper+ anchor is considered a brittle steel element as defined by ACI 318-14 2.3 or ACI 318-11 D.1, as applicable. Tabulated values for steel strength in tension must be used for design.

⁵For all design cases use $\psi_{c,N} = 1.0$. The effectiveness factor for uncracked concrete (k_{unscr}) must be used.

⁶For all design cases use $\psi_{c,P} = 1.0$. The value of $N_{p,unscr}$ may be increased in accordance with Section 4.1.4 of this report.

⁷Anchors are permitted to be used in lightweight concrete in accordance with Section 4.1.11 of this report.

⁸The notation in brackets is for the 2006 IBC.

⁹Pullout strength does not control the design of indicated anchors and does not need to be calculated for the indicated anchor size and embedment.

TABLE 4—SHEAR DESIGN INFORMATION FOR TAPPER+ ANCHORS IN CONCRETE
(For use with load combinations taken from ACI 318-14 Section 5.3 or ACI 318-11 Section 9.2)^{1,2}

Design Characteristic	Notation	Units	Nominal Anchor Size (inch)		
			³ / ₁₆	¹ / ₄	⁵ / ₁₆
Anchor category	1, 2 or 3	-	1	1	1
Nominal embedment depth	h_{nom}	in. (mm)	¹ / ₄ (44)	³ / ₄ (44)	¹ / ₈ (48)
STEEL STRENGTH IN SHEAR⁴					
Steel strength in shear ⁵	V_{sa}	lbf (kN)	810 (3.6)	1,180 (5.3)	2,475 (11.0)
Reduction factor for steel strength ³	ϕ	-	0.60		
CONCRETE BREAKOUT IN SHEAR⁶					
Load bearing length of anchor (h_{ef} or $8d_o$, whichever is less)	ℓ_e	in. (mm)	1.23 (32)	1.23 (32)	1.10 (28)
Nominal outside anchor diameter	d_a (d_o) ⁷	in. (mm)	0.145 (3.7)	0.185 (4.7)	0.250 (6.4)
Reduction factor for concrete breakout strength ³	ϕ	-	0.70 (Condition B)		
PRYOUT STRENGTH IN SHEAR⁶					
Coefficient for prout strength	k_{cp}	-	1.0	1.0	1.0
Effective embedment	h_{ef}	in. (mm)	1.23 (32)	1.23 (32)	1.10 (28)
Reduction factor for prout strength ³	ϕ	-	0.70 (Condition B)		

For **SI**: 1 inch = 25.4 mm, 1 lbf = 0.0044 kN.

¹The data in this table is intended to be used with the design provisions of ACI 318-14 Chapter 17 or ACI 318-11 Appendix D.

²Installation must comply with Section 4.3 of this report.

³All values of ϕ were determined from the load combinations of IBC Section 1605.2, ACI 318-14 Section 5.3 or ACI 318-11 Section 9.2, as applicable. If the load combinations of ACI 318 Appendix C are used, the appropriate value of ϕ must be determined in accordance with ACI 318-11 D.4.4. For reinforcement that meets ACI 318-14 Chapter 17 or ACI 318-11 Appendix D requirements for Condition A, see ACI 318-14 17.3.3 or ACI 318-11 D.4.3, as applicable, for the appropriate ϕ factor.

⁴The Tapper+ anchor is considered a brittle steel element as defined by ACI 318-14 2.3 or ACI 318-11 D.1, as applicable.

⁵Tabulated values for steel strength in shear must be used for design.

⁶Anchors are permitted to be used in lightweight concrete in accordance with Section 4.1.11 of this report.

⁷The notation in parenthesis is for the 2006 IBC.

TABLE 5—EXAMPLE ALLOWABLE STRESS DESIGN VALUES FOR ILLUSTRATIVE PURPOSES^{1,2,3,4,5,6,7,8,9}

Anchor Diameter (inch)	Nominal Embedment Depth (inches)	Effective Embedment (inches)	Allowable Tension Load (pounds)
³ / ₁₆	1 ³ / ₄	1.23	280
¹ / ₄	1 ³ / ₄	1.23	410
⁵ / ₁₆	1 ⁷ / ₈	1.10	605

For SI: 1 inch = 25.4 mm, 1 lbf = 0.0044 kN.

¹Single anchor with static tension load only.

²Concrete determined to remain uncracked for the life of the anchorage.

³Load combinations are taken from ACI 318-14 Section 5.3 or ACI 318-11 Section 9.2, as applicable (no seismic loading considered).

⁴Assumes 30% dead load and 70% live load, controlling load combination 1.2D + 1.6L.

⁵Calculation of weighted average for conversion factor $\alpha = 1.2(0.3) + 1.6(0.7) = 1.48$.

⁶ $f'_c = 2,500$ psi (normal weight concrete).

⁷ $c_{a1} = c_{a2} \geq c_{ac}$.

⁸ $h \geq h_{min}$.

⁹Values are for Condition B where supplementary reinforcement in accordance with ACI 318-14 17.3.3 or ACI 318-11 D.4.3, as applicable, is not provided.

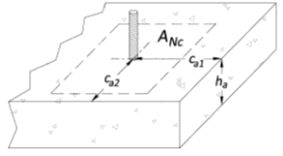
Given: Calculate the factored resistance strength, ϕN_n , and the allowable stress design value, $T_{allowable,ASD}$, for a ¹ / ₄ -inch-diameter Tapper+ anchor assuming the given conditions in Table 5.			
	ACI 318-14 Ref.	ACI 318-11 Ref.	Report Ref.
<p>Calculation in accordance with ACI 318-14 Chapter 17, ACI 318-11 Appendix D and this report:</p> <p>Step 1. Calculate steel strength of a single anchor in tension:</p> $\phi N_{sa} = (0.65)(2,680) = 1,742 \text{ lbs.}$ <p>Step 2. Calculate concrete breakout strength of a single anchor in tension:</p> $\phi N_{cb} = \phi \frac{A_{Nc}}{A_{Nc0}} \psi_{ed,N} \psi_{c,N} \psi_{cp,N} N_b$ $N_b = k_c \lambda_a \sqrt{f'_c} (h_{ef})^{1.5}$ $N_b = (24)(1.0) \sqrt{2,500} (1.23)^{1.5} = 1,637 \text{ lbs.}$ $\phi N_{cb} = (0.65) \left(\frac{13.6}{13.6}\right) (1.0)(1.0)(1.0)(1,637) = 1,064 \text{ lbs.}$ <p>Step 3. Calculate pullout strength:</p> $\phi N_{pn} = \phi N_{p,uncr} \psi_{c,p} \left(\frac{f'_{c,act}}{2,500}\right)^{0.4}$ $\phi N_{pn} = (0.65)(940)(1.0)(1.0) = 611 \text{ lbs.}$ <p>Step 4. Determine controlling resistance strength in tension:</p> $\phi N_n = \min \phi N_{sa}, \phi N_{cb}, \phi N_{pn} = \phi N_{pn} = 611 \text{ lbs.}$ <p>Step 5. Calculate allowable stress design conversion factor for loading condition:</p> <p>Controlling load combination: 1.2D + 1.6L</p> $\alpha = 1.2(30\%) + 1.6(70\%) = 1.48$ <p>Step 6. Calculate allowable stress design value:</p> $T_{allowable,ASD} = \frac{\phi N_n}{\alpha} = \frac{611}{1.48} = 413 \text{ lbs.}$	17.4.1.2	D.5.1.2	§4.1.2 Table 3
	17.4.2.1	D.5.2.1	§4.1.3
	17.4.2.2	D.5.2.2	Table 3
	17.4.3.2	D.5.3.2	§4.1.4 Table 3
	17.3.1.1	D.4.1.1	
	5.3	9.2	§4.2

FIGURE 4—EXAMPLE STRENGTH DESIGN CALCULATION INCLUDING ASD CONVERSION FOR ILLUSTRATIVE PURPOSES

ICC-ES Evaluation Report

ESR-3068 FBC Supplement

Reissued July 2017

This report is subject to renewal July 2018.

www.icc-es.org | (800) 423-6587 | (562) 699-0543

A Subsidiary of the International Code Council®

DIVISION: 03 00 00—CONCRETE

Section: 03 16 00—Concrete Anchors

DIVISION: 05 00 00—METALS

Section: 05 05 19—Post-installed Concrete Anchors

REPORT HOLDER:

DEWALT

701 EAST JOPPA ROAD

TOWSON, MARYLAND 21286

(800) 524-3244

www.dewalt.com

engineering@powers.com

EVALUATION SUBJECT:

TAPPER+® SCREW ANCHORS IN UNCRACKED CONCRETE (DEWALT / POWERS)

1.0 REPORT PURPOSE AND SCOPE

Purpose:

The purpose of this evaluation report supplement is to indicate that the Tapper+ Screw Anchor in Uncracked Concrete, recognized in ICC-ES master evaluation report ESR-3068, has also been evaluated for compliance with the codes noted below.

Applicable code editions:

- 2014 and 2010 *Florida Building Code—Building*
- 2014 and 2010 *Florida Building Code—Residential*

2.0 CONCLUSIONS

The Tapper+ Screw Anchor in Uncracked Concrete, described in Sections 2.0 through 7.0 of the master evaluation report ESR-3068, complies with the 2014 and 2010 *Florida Building Code—Building* and the 2014 and 2010 *Florida Building Code—Residential*, provided the design and installation are in accordance with the 2012 *International Building Code*® (IBC) provisions noted in the master report and the following conditions are met:

- Design wind loads must be based on Section 1609 of the 2014 and 2010 *Florida Building Code—Building* or Section R301.2.1.1 of the 2010 *Florida Building Code—Residential*, as applicable.
- Load combinations must be in accordance with Section 1605.2 or Section 1605.3 of the 2014 and 2010 *Florida Building Code—Building*, as applicable.

Use of the Tapper+ Screw Anchor in Uncracked Concrete has also been found to be in compliance with the High-Velocity Hurricane Zone (HVHZ) provisions of the 2014 and 2010 *Florida Building Code—Building* and the 2014 and 2010 *Florida Building Code—Residential*, provided that design wind loads for use of the anchors in the HVHZ are based on Section 1620 of the *Florida Building Code—Building*.

For products falling under Florida Rule 9N-3, verification that the report holder's quality assurance program is audited by a quality assurance entity approved by the Florida Building Commission for the type of inspections being conducted is the responsibility of an approved validation entity (or the code official when the report holder does not possess an approval by the Commission).

This supplement expires concurrently with the master report, reissued July 2017.