



Most Widely Accepted and Trusted

ICC-ES Evaluation Report

ESR-3260

ICC-ES | (800) 423-6587 | (562) 699-0543 | www.icc-es.org

Reissued 11/2016
This report is subject to renewal 11/2017.

DIVISION: 03 00 00—CONCRETE

SECTION: 03 16 00—CONCRETE ANCHORS

DIVISION: 05 00 00—METALS

SECTION: 05 05 19—POST-INTALLED CONCRETE ANCHORS

REPORT HOLDER:

DEWALT

**701 EAST JOPPA ROAD
TOWSON, MARYLAND 21286**

EVALUATION SUBJECT:

**POWER-BOLT®+ HEAVY DUTY SLEEVE ANCHORS FOR CRACKED AND
UNCRACKED CONCRETE (DEWALT / POWERS)**



Look for the trusted marks of Conformity!

“2014 Recipient of Prestigious Western States Seismic Policy Council (WSSPC) Award in Excellence”



ICC-ES Evaluation Reports are not to be construed as representing aesthetics or any other attributes not specifically addressed, nor are they to be construed as an endorsement of the subject of the report or a recommendation for its use. There is no warranty by ICC Evaluation Service, LLC, express or implied, as to any finding or other matter in this report, or as to any product covered by the report.



ICC-ES Evaluation Report

ESR-3260

Reissued November 2016

Revised August 2017

This report is subject to renewal November 2017.

www.icc-es.org | (800) 423-6587 | (562) 699-0543

A Subsidiary of the International Code Council®

DIVISION: 03 00 00—CONCRETE
Section: 03 16 00—Concrete Anchors

DIVISION: 05 00 00—METALS
Section: 05 05 19—Post-Installed Concrete Anchors

REPORT HOLDER:

DEWALT
701 EAST JOPPA ROAD
TOWSON, MARYLAND 21286
(800) 524-3244
www.dewalt.com
anchors@dewalt.com

ADDITIONAL LISTEE:

POWERS FASTENERS
701 EAST JOPPA ROAD
TOWSON, MARYLAND 21286
(800) 524-3244
www.powers.com
engineering@powers.com

EVALUATION SUBJECT:

POWER-BOLT®+ HEAVY DUTY SLEEVE ANCHORS FOR CRACKED AND UNCRACKED CONCRETE (DEWALT / POWERS)

1.0 EVALUATION SCOPE

Compliance with the following codes:

- 2015, 2012 and 2009 *International Building Code*® (IBC)
- 2015, 2012 and 2009 *International Residential Code*® (IRC)

For evaluation for compliance with codes adopted by the Los Angeles Department of Building and Safety (LADBS), see [ESR-3260 LABC and LARC Supplement](#).

Property evaluated:

Structural

2.0 USES

The Power-Bolt+ Heavy Duty Sleeve Anchors are used as anchorage to resist static, wind and seismic tension and shear loads in cracked and uncracked normal-weight concrete and lightweight concrete having a specified compressive strength, f'_c , of 2,500 psi to 8,500 psi (17.2 MPa to 58.6 MPa) [minimum of 24 MPa is required under ADIBC Appendix L, Section 5.1.1].

The Power-Bolt+ sleeve anchors comply with Section 1901.3 of the 2015 IBC, Section 1909 of the 2012 IBC, and Section 1912 of the 2009 IBC. The anchors are alternatives to cast-in-place anchors described in Section 1908 of the 2012 IBC and Section 1911 of the 2009 IBC. The anchors may also be used where an engineered design is submitted in accordance with Section R301.1.3 of the IRC.

3.0 DESCRIPTION

3.1 Power-Bolt+:

Power-Bolt+ Heavy Duty Sleeve Anchors are torque-controlled, mechanical expansion anchors comprised of a high strength steel bolt, matching steel washer, steel cone, steel expansion wedge (clip), steel sleeve, plastic compression ring and plastic retention nut. Available diameters are 1/2 inch, 5/8 inch and 3/4 inch (12.7 mm, 15.9 mm and 19.1 mm). The steel bolt, expansion clip, sleeve and cone are manufactured from medium carbon steel complying with requirements set forth in the approved quality documentation, and have a minimum 0.0002-inch-thick (5 µm) zinc plating in accordance with ASTM B633. The steel washers comply with ASTM F844. The Power-Bolt+ Heavy Duty Sleeve Anchor is illustrated in Figure 2. Product names for the report holder and the additional listee are presented in the following table of the report.

COMPANY NAME	PRODUCT NAME
DEWALT	Power-Bolt®+
Powers Fasteners	Power-Bolt®+

The anchor is assembled such that the cone is able to enter the bottom of the tri-segmented expansion clip, which freely rotates around the bolt. The expansion clip longitudinal movement is restrained by the compression ring and sleeve. The anchors are installed in a predrilled hole with a hammer. When torque is applied to the head of the installed anchor bolt, the cone at the other end of the anchor is drawn into the expansion clip, forcing it outward into the sides of the predrilled hole in the base material.

3.2 Concrete:

Normalweight and lightweight concrete must conform to Sections 1903 and 1905 of the IBC, as applicable.

4.0 DESIGN AND INSTALLATION

4.1 Strength Design:

4.1.1 General: Design strength of anchors complying with the 2015 IBC, as well as Section R301.1.3 of the IRC, must be determined in accordance with ACI 318-14 Chapter 17 and this report.

Design strength of anchors complying with the 2012 IBC, as well as Section R301.1.3 of the 2012 IRC, must be determined in accordance with ACI 318-11 Appendix D and this report.

Design strength of anchors complying with the 2009 IBC, as well as Section R301.1.3 of the 2009 IRC, must be determined in accordance with ACI 318-08 Appendix D and this report.

A design example according to the 2015 IBC and 2012 IBC is given in Table 5 of this report.

Design parameters provided in Tables 1, 4 and 5 and references to ACI 318 are based on the 2015 IBC (ACI 318-14) and on the 2012 IBC (ACI 318-11) unless noted otherwise in Sections 4.1.1 through 4.1.12 of this report. The strength design of anchors must comply with ACI 318-14 Section 17.3.1 or ACI 318-11 Appendix D Section D.4.1, as applicable, except as required in ACI 318-14 Section 17.2.3 or ACI 318 Appendix D Section D.3.3, as applicable. Strength reduction factors, ϕ , as given in ACI 318-14 Section 17.3.3 or ACI 318-11 Appendix D Section D.4.3, as applicable, and noted in Tables 4 and 5 of this report, must be used for load combinations calculated in accordance with Section 1605.2 of the IBC, ACI 318-14 Section 5.3 or ACI 318-11 Section 9.2, as applicable. Strength reduction factors, ϕ , described in ACI 318-11 Appendix D Section D.4.4 must be used for load combinations calculated in accordance with ACI 318-11 Appendix C. Strength reduction factors, ϕ , corresponding to ductile steel elements are appropriate, except for the $\frac{3}{4}$ -inch-diameter which is considered a brittle steel element.

4.1.2 Requirements for Static Steel Strength in Tension, N_{sa} : The nominal static steel strength of a single anchor in tension, N_{sa} , calculated in accordance with ACI 318-14 Section 17.4.1.2 or ACI 318-11 Appendix D Section D.5.1.2, as applicable, is given in Table 3 of this report.

4.1.3 Requirements for Static Concrete Breakout Strength in Tension, N_{cb} or N_{cbg} : The nominal concrete breakout strength of a single anchor or a group of anchors in tension, N_{cb} and N_{cbg} , respectively must be calculated in accordance with ACI 318-14 Section 17.4.2 or ACI 318-11 Appendix D Section D.5.2, as applicable, with modifications as described in this section. The basic concrete breakout strength in tension, N_b , must be calculated in accordance with ACI 318-14 Section 17.4.2.2 or ACI 318-11 Appendix D Section D.5.2.2, as applicable, using the values of h_{ef} and k_{cr} as given in Table 3 of this report. The nominal concrete breakout strength in tension in regions where analysis indicates no cracking in accordance with ACI 318-14 Section 17.4.2.6 or ACI 318-11 Appendix D Section D.5.2.6, as applicable, must be calculated with the value of k_{uncr} as given in Table 3 and with $\psi_{c,N} = 1.0$.

4.1.4 Requirements for Static Pullout Strength in Tension, N_{pn} : Since there are no values for $N_{p,cr}$ or $N_{p,uncr}$ provided in Table 3 of this report, the pullout strength in tension does not govern and need not be evaluated.

4.1.5 Requirements for Static Steel Strength in Shear, V_{sa} : The nominal steel strength in shear, V_{sa} , of a single anchor in accordance with ACI 318-14 Section 17.5.1.2 or ACI 318-11 Appendix D Section D.6.1.2, as applicable, is given in Table 4 of this report and must be used in lieu of the values derived by calculation from ACI 318-14 Eq. 17.5.1.2b or ACI 318-11, Eq. D-29, as applicable.

4.1.6 Requirements for Static Concrete Breakout Strength in Shear, V_{cb} or V_{cbg} : The nominal concrete breakout strength of a single anchor or group of anchors

in shear, V_{cb} or V_{cbg} , respectively, must be calculated in accordance with ACI 318-14 Section 17.5.2 or ACI 318-11 Appendix D Section D.6.2, as applicable, with modifications as described in this section. The basic concrete breakout strength in shear, V_b , must be calculated in accordance with ACI 318-14 Section 17.5.2.2 or ACI 318-11 Appendix D Section D.6.2.2, as applicable, using the values of l_e and d_a given in Table 4 of this report.

4.1.7 Requirements for Static Concrete Pryout Strength in Shear, V_{cp} or V_{cpg} : The nominal concrete pryout strength of a single anchor or group of anchors, V_{cp} or V_{cpg} , respectively, must be calculated in accordance with ACI 318-14 Section 17.5.3 or ACI 318-11 Appendix D Section D.6.3, as applicable, modified by using the value of k_{cp} provided in Table 4 and the value of N_{cb} or N_{cbg} as calculated in Section 4.1.3 of this report.

4.1.8 Requirements for Seismic Design:

4.1.8.1 General: For load combinations including seismic loads, the design must be performed in accordance with ACI 318-14 Section 17.2.3 or ACI 318 (-11 and -08) Appendix D Section D.3.3, as applicable. Modifications to ACI 318-14 Section 17.2.3 shall be applied under Section 1905.1.8 of the 2015 IBC. For the 2012 IBC, Section 1905.1.9 is omitted. Modifications to ACI 318-08 D.3.3 shall be applied under Section 1908.1.9 of the 2009 IBC.

The nominal steel strength and nominal concrete breakout strength for anchors in tension, and the nominal concrete breakout strength and pryout strength for anchors in shear, must be calculated in accordance with ACI 318-14 Sections 17.5 and 17.6 or ACI 318-11 Appendix D Section D.5 and D.6, respectively, taking into account the corresponding values in Tables 4 and 5 of this report.

The $\frac{1}{2}$ -inch and $\frac{5}{8}$ -inch (12.7 mm and 15.9 mm) anchors comply with ACI 318-14 Section 2.3 or ACI 318 (-11 and -08) Appendix D Section D.1, as applicable, as ductile steel elements and the $\frac{3}{4}$ -inch (19.1 mm) are considered brittle steel elements; anchors must be designed in accordance with ACI 318-14 Sections 17.2.3.4, 17.2.3.5, 17.2.3.6 or 17.2.3.7; ACI 318-11 Appendix D Sections D.3.3.4, D.3.3.5, D.3.3.6 or D.3.3.7; ACI 318-08 Appendix D Sections D.3.3.4, D.3.3.5 or D.3.3.6, as applicable. Strength reduction factors, ϕ , are given in Table 3 and Table 4.

The anchors may be installed in concrete structures assigned to Seismic Design Categories (SDCs) A through F.

4.1.8.2 Seismic Tension: The nominal steel strength and nominal concrete breakout strength for anchors in tension must be calculated in accordance with ACI 318-14 Sections 17.4.1 and 17.4.2 or ACI 318-11 Appendix D Section D.5.1 and D.5.2, respectively, as described in Sections 4.1.2 and 4.1.3 of this report. Since there are no values for $N_{p,eq}$ provided in Table 3 of this report, the pullout strength in tension for seismic loads need not be evaluated in accordance with ACI 318-14 Section 17.4.3.2 or ACI 318-11 Appendix D Section D.5.3.2, as applicable.

4.1.8.3 Seismic Shear: The nominal concrete breakout strength and pryout strength for anchors in shear must be calculated according to ACI 318-14 Sections 17.5.2 and 17.5.3 or ACI 318-11 Appendix D Section D.6.2 and D.6.3, respectively, as described in Sections 4.1.6 and 4.1.7. In accordance with ACI 318-14 Section 17.5.1.2 or ACI 318-11 Appendix D Section D.6.1.2, as applicable, the appropriate value for nominal steel strength in shear for seismic loads, $V_{sa,eq}$, described in Table 4 of this report must be used in lieu of V_{sa} .

4.1.9 Requirements for Interaction of Tensile and Shear Forces: Anchors or groups of anchors that are

subject to the effects of combined axial (tensile) and shear forces must be designed in accordance with ACI 318-14 Section 17.6 or ACI 318-11 Appendix D Section D.7, as applicable.

4.1.10 Requirements for Critical Edge Distance: In applications where $c < c_{ac}$ and supplemental reinforcement to control splitting of the concrete is not present, the concrete breakout strength in tension for uncracked concrete, calculated according to ACI 318-14 Section 17.4.2 or ACI 318-11 Appendix D Section D.5.2, as applicable, must be further multiplied by the factor $\psi_{cp,N}$ given by Eq-3:

$$\psi_{cp,N} = \frac{c}{c_{ac}} \quad (\text{Eq-3})$$

where the factor $\psi_{cp,N}$ need not be taken as less than $\frac{1.5h_{ef}}{c_{ac}}$. For all other cases, $\psi_{cp,N} = 1.0$. In lieu of using

ACI 318-14 Section 17.7.6 or ACI 318-11 Appendix D Section D.8.6, values of c_{ac} must comply with Table 3.

4.1.11 Requirements for Minimum Member Thickness, Minimum Anchor Spacing and Minimum Edge Distance: In lieu of ACI 318-14 Sections 17.7.1 and 17.7.3 or ACI 318-11 Appendix D Section D8.1 and D.8.3, respectively, as applicable, values of c_{min} and s_{min} must comply with Table 1 of this report. In lieu of ACI 318-14 Section 17.7.5 or ACI 318-11 Appendix D Section D.8.5, as applicable, minimum member thicknesses, h_{min} , must comply with Table 1.

4.1.12 Lightweight Concrete: For the use of anchors in lightweight concrete, the modification factor λ_a equal to 0.8λ is applied to all values of $\sqrt{f'_c}$ affecting N_n and V_n .

For ACI 318-14 (2015 IBC), ACI 318-11 (2012 IBC) and ACI 318-08 (2009 IBC), λ shall be determined in accordance with the corresponding version of ACI 318.

4.2 Allowable Stress Design (ASD):

4.2.1 General: Design values for use with allowable stress design (working stress design) load combinations in accordance with Section 1605.3 of the IBC are required, these are calculated using Eq-4 and Eq-5 as follow:

$$T_{allowable,ASD} = \frac{\phi N_n}{\alpha} \quad (\text{Eq-4})$$

$$V_{allowable,ASD} = \frac{\phi V_n}{\alpha} \quad (\text{Eq-5})$$

where:

- $T_{allowable,ASD}$ = Allowable tension load (lbf or kN)
- $V_{allowable,ASD}$ = Allowable shear load (lbf or kN)
- ϕN_n = Lowest design strength of an anchor or anchor group in tension as determined in accordance with ACI 318-14 Chapter 17 and 2015 IBC Section 1905.1.8, ACI 318-11 Appendix D, ACI 318-08 Appendix D and 2009 IBC Section 1908.1.9, and Section 4.1 of this report, as applicable (lbf or N).
- ϕV_n = Lowest design strength of an anchor or anchor group in shear as determined in accordance with ACI 318-14 Chapter 17 and 2015 IBC Section 1905.1.8, ACI 318-11 Appendix D, ACI 318-08 Appendix D and 2009 IBC Section 1908.1.9, and

Section 4.1 of this report, as applicable (lbf or N).

α = Conversion factor calculated as a weighted average of the load factors for the controlling load combination. In addition, α must include all applicable factors to account for nonductile failure modes and required over-strength.

The requirements for member thickness, edge distance and spacing, described in this report, must apply. An example of allowable stress design values for illustrative purposes is shown in Table 5 of this report.

4.2.2 Interaction of Tensile and Shear Forces: The interaction must be calculated and consistent with ACI 318-14 Section 17.6 or ACI 318 (-11 and -08) Appendix D Section D.7, as applicable, as follows:

For shear loads $V \leq 0.2V_{allowable,ASD}$, the full allowable load in tension must be permitted.

For tension loads $T \leq 0.2T_{allowable,ASD}$, the full allowable load in shear must be permitted.

For all other cases Eq-6 applies:

$$\frac{T}{T_{allowable,ASD}} + \frac{V}{V_{allowable,ASD}} \leq 1.2 \quad (\text{Eq-6})$$

4.3 Installation:

Installation parameters are provided in Table 1 and Figure 1. Anchor locations must comply with this report and the plans and specifications approved by the code official. The Power-Bolt+ heavy duty sleeve anchors must be installed in accordance with the manufacturer's published installation instructions as shown in Figure 3 of this report. Anchors must be installed in holes drilled into the concrete using carbide-tipped masonry drill bits complying with ANSI B212.15-1994. The nominal drill bit diameter must be equal to that of the anchor. The minimum drilled hole depth is given in Table 1. Prior to anchor installation, the dust and debris must be removed from the predrilled hole using a hand pump, compressed air or a vacuum. The anchor must be hammered into the predrilled hole until the proper nominal embedment depth is achieved. The bolt must be tightened until the torque values, T_{inst} , specified in Table 1 of this report are achieved.

4.4 Special Inspection:

Periodic special inspection is required in accordance with Section 1705.1.1 and Table 1705.3 of the 2015 IBC and 2012 IBC (Section 1704.15 and Table 1704.4 of the 2009 IBC). The special inspector must make periodic inspections during anchor installation to verify anchor type, anchor dimensions, concrete type, concrete compressive strength, drill bit type, hole dimensions, hole cleaning procedure, concrete member thickness, anchor embedment, anchor spacing, edge distances, tightening torque and adherence to the manufacturer's published installation instructions. The special inspector must be present as often as required in accordance with the "statement of special inspection."

5.0 CONDITIONS OF USE

The Power-Bolt+ Heavy Duty Sleeve Anchors described in this report comply with, or are suitable alternatives to what is specified in, those codes listed in Section 1.0 of this report, subject to the following conditions:

5.1 The anchors must be installed in accordance with the manufacturer's published installation instructions, the approved plans and this report. In case of a conflict, the most restrictive requirement governs.

- 5.2 Anchor sizes, dimensions, and minimum embedment depths are as set forth in this report.
- 5.3 Anchors must be installed in cracked and uncracked normalweight concrete and lightweight concrete having a specified compressive strength, f'_c , of 2,500 psi to 8,500 psi (17.2 MPa to 58.6 MPa) [minimum of 24 MPa is required under ADIBC Appendix L, Section 5.1.1].
- 5.4 The values of f'_c used for calculation purposes must not exceed 8,000 psi (55.2 MPa).
- 5.5 The concrete shall have attained its minimum design strength prior to installation of the anchors.
- 5.6 Strength design values must be established in accordance with Section 4.1 of this report.
- 5.7 Allowable stress design values must be established in accordance with Section 4.2 of this report.
- 5.8 Anchor spacing(s) and edge distance(s), as well as minimum member thickness, must comply with Table 1 of this report, unless otherwise noted in the approved plans.
- 5.9 Prior to installation, calculations and details demonstrating compliance with this report must be submitted to the code official. The calculations and details must be prepared by a registered design professional where required by the statutes of the jurisdiction in which the project is to be constructed.
- 5.10 Since an ICC-ES acceptance criteria for evaluating data to determine the performance of anchors subjected to fatigue or shock loading is unavailable at this time, the use of these anchors under such conditions is beyond the scope of this report.
- 5.11 Anchors may be installed in regions of concrete where cracking has occurred or where analysis indicates cracking may occur ($f_t > f_r$), subject to the conditions of this report.
- 5.12 The anchors may be used to resist short-term loading due to wind or seismic forces in locations designated as Seismic Design Categories A through F, under the IBC, subject to the conditions of this report.
- 5.13 Where not otherwise prohibited in the code, Power-Bolt+ heavy duty sleeve anchors are permitted for use

with fire-resistance-rated construction provided that at least one of the following conditions is fulfilled:

- The anchors are used to resist wind or seismic forces only.
- Anchors that support a fire-resistance-rated envelope or a fire-resistance-rated membrane are protected by approved fire-resistance-rated materials, or have been evaluated for resistance to fire exposure in accordance with recognized standards.
- Anchors are used to support nonstructural elements.

5.14 Use of carbon steel anchors is limited to dry, interior locations.

5.15 Special inspection must be provided in accordance with Section 4.4 of this report.

5.16 Anchors are manufactured under an approved quality-control program with inspections by ICC-ES.

6.0 EVIDENCE SUBMITTED

6.1 Data in accordance with the ICC-ES Acceptance Criteria for Mechanical Anchors in Concrete Elements (AC193), dated October 2015, which incorporate requirements in ACI 355.2-07 / ACI 355.2-04, for use in cracked and uncracked concrete; including optional service-condition Test No. 18 and Test No. 19 (AC193, Annex 1, Table 4.2) for seismic tension and shear.

6.2 Quality-control documentation.

7.0 IDENTIFICATION

The Power-Bolt+ heavy duty sleeve anchors are identified by dimensional characteristics and packaging. A length letter code is stamped on each bolt head along with the letters "PB," and these are visible after installation. Table 2 summarizes the length code identification system. A plus sign "+" also appears with the letters "PB" on all anchors. Packages are identified with the product name, type and size, the company name (DEWALT), and the evaluation report number (ESR-3260).

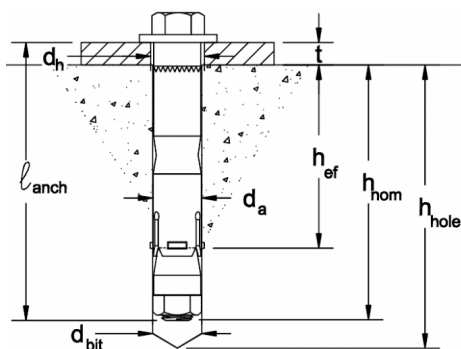


FIGURE 1—POWER-BOLT+ ANCHOR DETAIL

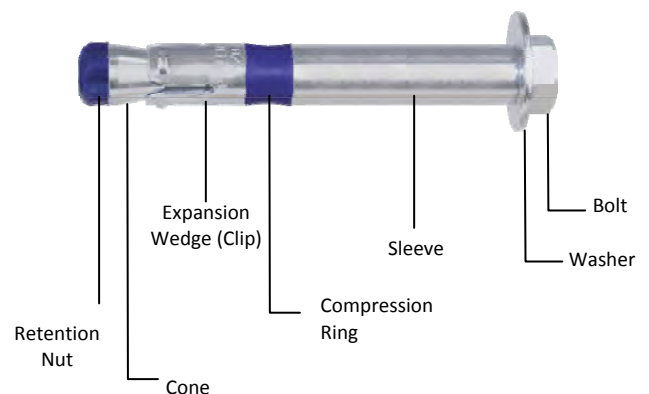


FIGURE 2—POWER-BOLT+ ANCHOR ASSEMBLY

TABLE 1—POWER-BOLT+ ANCHOR INSTALLATION SPECIFICATIONS AND SUPPLEMENTAL INFORMATION^{1,3}

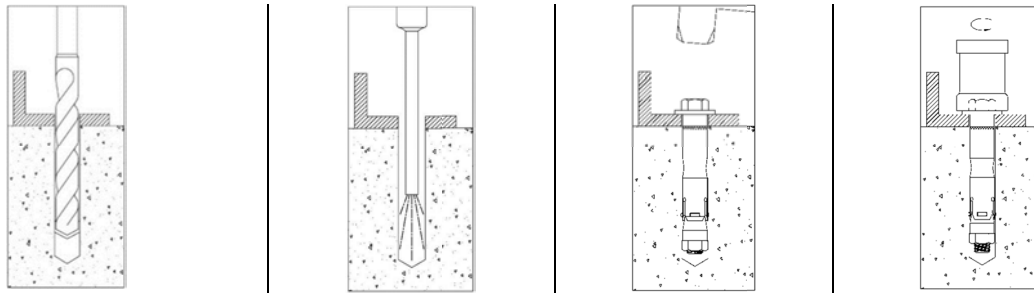
Anchor Property/Setting Information	Notation	Units	Nominal Anchor Diameter			
			1/2 inch	5/8 inch	3/4 inch	
Anchor diameter	d_a	in. (mm)	0.500 (12.7)	0.625 (15.9)	0.750 (19.1)	
Internal bolt diameter (UNC)	-	in. (mm)	3/8 (9.5)	7/16 (11.1)	9/16 (14.3)	
Minimum diameter of hole clearance in fixture	d_h	in. (mm)	9/16 (14.3)	11/16 (17.5)	13/16 (21.6)	
Nominal drill bit diameter	d_{bit}	in.	1/2 ANSI	5/8 ANSI	3/4 ANSI	
Minimum nominal embedment depth	h_{nom}	in. (mm)	3/4 (83)	3/4 (95)	4/8 (111)	
Effective embedment depth	h_{ef}	in. (mm)	2 5/8 (67)	3 (76)	3 1/2 (89)	
Minimum hole depth	h_{hole}	in. mm	3 3/4 (95)	4 1/4 (108)	5 (127)	
Minimum member thickness	h_{min}	in. (mm)	5 (127)	6 1/2 (165)	7 (178)	
Minimum overall anchor length ²	l_{anch}	in. (mm)	3 1/2 (89)	4 (102)	5 1/4 (133)	
Minimum edge distance	c_{min}	in. (mm)	3 1/4 (83)	4 1/2 (114)	6 (152) 8 (203)	
Minimum spacing distance	s_{min}	in. (mm)	4 1/2 (114)	6 (152)	6 (152) 5 (127)	
Critical edge distance	c_{ac}	in. (mm)	8 (203)	6 (152)	8 (203)	
Installation torque	T_{inst}	ft.-lbf. (N-m)	40 (54)	60 (81)	110 (149)	
Torque wrench/socket size	-	in.	5/8	3/4	15/16	
Bolt head height	-	in.	9/32	5/16	3/8	
Effective tensile stress area (bolt body)	A_{se}	in. ² (mm ²)	0.0775 (50.0)	0.1063 (68.6)	0.182 (117.4)	
Minimum specified ultimate tensile strength	f_{uta}	psi (N/mm ²)	150 (1,034)	150 (1,034)	150 (1,034)	
Minimum specified yield strength	f_{ya}	psi (N/mm ²)	130 (896)	130 (896)	130 (896)	
Mean axial stiffness ³	Uncracked concrete	β_{unscr}	lbf/in. (kN/mm)	366,000 (63)	871,000 (150)	256,000 (44)
	Cracked concrete	β_{cr}	lbf/in. (kN/mm)	64,000 (11)	94,000 (16)	27,000 (5)

For **SI**: 1 inch = 25.4 mm, 1 ft-lbf = 1.356 N-m.

¹The information presented in this table is to be used in conjunction with the design criteria of ACI 318-14 Chapter 17 or ACI 318-11 Appendix D, as applicable.

²The listed minimum overall anchor length is based on anchor sizes commercially available at the time of publication compared with the requirements to achieve the minimum nominal embedment depth and possible fixture attachment.

³Mean values shown, actual stiffness varies considerable depending on concrete strength, loading and geometry of application.



1.) Using the proper drill bit size, drill a hole into the base material to the required depth. The tolerances of the drill bit used should meet the requirements of ANSI Standard B2.12.15.

2.) Remove dust and debris from the hole during drilling (e.g. dust extractor, hollow bit) or following drilling (e.g. suction, forced air) to extract loose particles left from drilling.

3.) Drive anchor through the fixture into the hole. Be sure the anchor is driven to the minimum required embedment depth, h_{nom} .

4.) Tighten the anchor with a torque wrench by applying the required installation torque, T_{inst} . (See Table 1.)

FIGURE 3—POWER-BOLT+ INSTALLATION INSTRUCTIONS

DeWALT Dust Removal Drilling Systems with HEPA Dust Extractor Options		
Tool	Accessories and Shrouds	HEPA Dust Extractor
SDS-Max Drills		
 Cordless Corded	 SDS-Max Hollow Drill Bit	 Dust Extractor
	 SDS-Max With Shroud	
SDS-Plus Drills		
 Cordless Corded	 SDS-Plus Bit	 Cordless Dust Extractor
	 SDS-Plus Hollow Drill Bit	 Dust Extractor
	 SDS-Plus With Telescope	
	 SDS-Plus With Shroud	

The DEWALT drilling systems shown below collect and remove dust with a HEPA dust extractor during the hole drilling operation in dry base materials using hammer-drills (see step 1 of the manufacturer’s published installation instructions).

FIGURE 4—EXAMPLES OF DEWALT DUST REMOVAL DRILLING SYSTEMS WITH HEPA DUST EXTRACTORS FOR ILLUSTRATION

TABLE 2—POWER-BOLT+ ANCHOR LENGTH CODE IDENTIFICATION SYSTEM

Length ID marking on bolt head		A	B	C	D	E	F	G	H	I	J	K	L	M	N	O	P	Q	R	S	T
	Overall anchor length, ℓ_{anch} (inches)	From	1 1/2	2	2 1/2	3	3 1/2	4	4 1/2	5	5 1/2	6	6 1/2	7	7 1/2	8	8 1/2	9	9 1/2	10	11
	Up to but not including	2	2 1/2	3	3 1/2	4	4 1/2	5	5 1/2	6	6 1/2	7	7 1/2	8	8 1/2	9	9 1/2	10	11	12	13

For SI: 1 inch = 25.4 mm.

TABLE 3—TENSION DESIGN INFORMATION FOR POWER-BOLT+ ANCHOR IN CONCRETE^{1,2}

Design Characteristic	Notation	Units	Nominal Anchor Diameter		
			¹ / ₂ -inch	⁵ / ₈ -inch	³ / ₄ -inch
Anchor category	1, 2 or 3	-	1	1	1
STEEL STRENGTH IN TENSION (ACI 318-14 17.4.1 or ACI 318-11 D.5.1)					
Steel strength in tension	N_{sa}	lb (kN)	9,685 (43.1)	13,285 (59.1)	27,300 (121.4)
Reduction factor for steel strength ³	ϕ	-	0.75		0.65
CONCRETE BREAKOUT STRENGTH IN TENSION (ACI 318-14 17.4.2 or ACI 318-11 D5.2)⁸					
Effective embedment	h_{ef}	in. (mm)	2.625 (67)	3.00 (77)	3.50 (89)
Effectiveness factor for uncracked concrete	k_{uncr}	-	27 (11.3)	27 (11.3)	24 (10.0)
Effectiveness factor for cracked concrete	k_{cr}	-	17 (7.1)	17 (7.1)	17 (7.1)
Modification factor for cracked and uncracked concrete ⁵	$\psi_{c,N}$	-	1.0	1.0	1.0
Critical edge distance (uncracked concrete only)	c_{ac}	in. (mm)	8 (203)	6 (152)	8 (203)
Reduction factor for concrete breakout strength ⁴	ϕ	-	0.65 (Condition B)		
PULLOUT STRENGTH IN TENSION (ACI 318-14 17.4.3 or ACI 318-11 D.5.3)⁸					
Characteristic pullout strength, uncracked concrete (2,500 psi) ⁶	$N_{p,uncr}$	lb (kN)	Not Applicable ⁷	Not Applicable ⁷	Not Applicable ⁷
Characteristic pullout strength, cracked concrete (2,500 psi) ⁶	$N_{p,cr}$	lb (kN)	Not Applicable ⁷	Not Applicable ⁷	Not Applicable ⁷
PULLOUT STRENGTH IN TENSION FOR SEISMIC APPLICATIONS (ACI 318-14 17.2.3.3 or ACI 318-11 D.3.3.3)⁸					
Characteristic pullout strength, seismic (2,500 psi) ⁶	$N_{p,eq}$ ¹⁰	lb (kN)	Not Applicable ⁷	Not Applicable ⁷	Not Applicable ⁷

For **SI**: 1 inch = 25.4 mm; 1 ksi = 6.894 N/mm²; 1 lbf = 0.0044 kN.

¹The data in this table is intended to be used with the design provisions of ACI 318-14 Chapter 17 or ACI 318-11 Appendix D, as applicable; for anchors resisting seismic load combinations the additional requirements of ACI 318-14 17.2.3 or ACI 318-11 D.3.3, as applicable, shall apply.

²Installation must comply with the manufacturer’s published installation instructions.

³The tabulated value of ϕ for steel strength applies when the load combinations of Section 1605.2 of the IBC, ACI 318-14 Section 5.3 or ACI 318-11 Section 9.2, as applicable, are used. If the load combinations of ACI 318-11 Appendix C are used, the appropriate value of ϕ for steel strength must be determined in accordance with ACI 318-11 D.4.3. The anchors are ductile steel elements as defined in ACI 318-14 2.3 or ACI 318-11 D.1, as applicable, except for the ³/₄-inch-diameter, which is considered a brittle steel element for the purposes of design.

⁴The tabulated value of ϕ for concrete breakout strength applies when both the load combinations of Section 1605.2 of the IBC, ACI 318-14 Section 5.3 or ACI 318-11 Section 9.2, as applicable, are used and the requirements of ACI 318-14 17.3.3 or ACI 318-11 D.4.3, as applicable, for Condition B are satisfied. If the load combinations of Section 1605.2 of the IBC, ACI 318-14 Section 5.3 or ACI 318-11 Section 9.2, as applicable, are used and the requirements of ACI 318-14 17.3.3 or ACI 318-11 D.4.3, as applicable, for Condition A are satisfied, the appropriate value of ϕ for concrete breakout strength must be determined in accordance with ACI 318-14 17.3.3 or ACI 318-11 D.4.3, as applicable. If the load combinations of ACI 318-11 Appendix C are used, the appropriate value of ϕ for concrete breakout strength must be determined in accordance with ACI 318-11 D.4.4.

⁵For all design cases use $\psi_{c,N} = 1.0$. The appropriate effectiveness factor for cracked concrete (k_{cr}) or uncracked concrete (k_{uncr}) must be used.

⁶For all design cases use $\psi_{c,P} = 1.0$. For the calculation of N_{pm} , see Section 4.1.4 of this report.

⁷Pullout strength does not control design.

⁸Anchors are permitted to be used in lightweight concrete in accordance with Section 4.1.12 of this report.

⁹In accordance with ACI 318-14 17.4.1.2 and Eq. 17.4.1.2 or ACI 318-11 D.5.1.2 and Eq. D-2, as applicable, the nominal steel strength in tension is calculated using a limited value of f_{uta} of 125 ksi.

TABLE 4—SHEAR DESIGN INFORMATION FOR POWER-BOLT+ ANCHOR IN CONCRETE^{1,2}

Design Characteristic	Notation	Units	Nominal Anchor Diameter		
			¹ / ₂ -inch	⁵ / ₈ -inch	³ / ₄ -inch
Anchor category	1, 2 or 3	-	1	1	1
STEEL STRENGTH IN SHEAR (ACI 318-14 17.5.1 or ACI 318-11 D6.1)					
Minimum specified yield strength	f_y	ksi (N/mm ²)	130 (896)	130 (896)	130 (896)
Minimum specified ultimate strength	f_{ult}^9	ksi (N/mm ²)	150 (1,034)	150 (1,034)	150 (1,034)
Effective shear stress area	$A_{se,V}$	in ² (mm ²)	0.1069 (69.0)	0.1452 (93.7)	0.241 (153)
Steel strength in shear ⁶	V_{sa}	lb (kN)	6,005 (26.7)	13,415 (59.7)	14,820 (65.9)
Reduction factor for steel strength ³	ϕ	-	0.65		0.60
CONCRETE BREAKOUT STRENGTH IN SHEAR (ACI 318-14 17.5.2 or ACI 318-11 D6.2)⁷					
Load bearing length of anchor	ℓ_e	in. (mm)	1.00 (25)	1.25 (32)	1.5 (51)
Nominal anchor diameter	d_a	in. (mm)	0.500 (12.7)	0.625 (15.9)	0.750 (19.1)
Reduction factor for concrete breakout ⁴	ϕ	-	0.70 (Condition B)		
(ACI 318-14 17.5.3 or ACI 318-11 D.6.3)⁷					
Coefficient for pryout strength	k_{cp}	-	2.0	2.0	2.0
Effective embedment	h_{ef}	in. (mm)	2.625 (67)	3.000 (76)	3.500 (89)
Reduction factor for pryout strength ⁵	ϕ	-	0.70 (Condition B)		
STEEL STRENGTH IN SHEAR FOR SEISMIC APPLICATIONS (ACI 318-14 17.2.3.3 or ACI 318-11 D.3.3.3)					
Steel strength in shear, seismic ⁸	$V_{sa,eq}$	lb (kN)	4,565 (20.3)	7,425 (33.0)	14,820 (65.9)
Reduction factor for steel strength in shear for seismic ³	ϕ	-	0.65		0.60

For **SI**: 1 inch = 25.4 mm; 1 ksi = 6.894 N/mm²; 1 lbf = 0.0044 kN.

¹The data in this table is intended to be used with the design provisions of ACI 318-14 Chapter 17 or ACI 318-11 Appendix D, as applicable; for anchors resisting seismic load combinations the additional requirements of ACI 318-14 17.2.3 or ACI 318-11 D.3.3, as applicable, shall apply.

²Installation must comply with the manufacturer’s published installation instructions.

³The tabulated value of ϕ for steel strength applies when the load combinations of Section 1605.2 of the IBC, ACI 318-14 Section 5.3 or ACI 318-11 Section 9.2, as applicable, are used. If the load combinations of ACI 318-11 Appendix C are used, the appropriate value of ϕ for steel strength must be determined in accordance with ACI 318-11 D.4.3. The anchors are ductile steel elements as defined in ACI 318-14 2.3 or ACI 318-11 D.1, as applicable, except for the ³/₄-inch-diameter which is considered a brittle steel element for the purposes of design.

⁴The tabulated value of ϕ for concrete breakout strength applies when both the load combinations of Section 1605.2 of the IBC, ACI 318-14 Section 5.3 or ACI 318-11 Section 9.2, as applicable, are used and the requirements of ACI 318-14 17.3.3 or ACI 318-11 D.4.3, as applicable, for Condition B are satisfied. If the load combinations of Section 1605.2 of the IBC, ACI 318-14 Section 5.3 or ACI 318-11 Section 9.2, as applicable, are used and the requirements of ACI 318-14 17.3.3 or ACI 318-11 D.4.3, as applicable, for Condition A are satisfied, the appropriate value of ϕ for concrete breakout strength must be determined in accordance with ACI 318-14 17.3.3 or ACI 318-11 D.4.3, as applicable. If the load combinations of ACI 318-11 Appendix C are used, the appropriate value of ϕ for concrete breakout strength must be determined in accordance with ACI 318-11 D.4.4.

⁵The tabulated value of for pryout strength applies if the load combinations of Section 1605.2 of the IBC, ACI 318-14 Section 5.3 or ACI 318-11 Section 9.2, as applicable, are used. If the load combinations of ACI 318-11 Appendix C are used, the appropriate value of ϕ for pryout strength must be determined in accordance with ACI 318-11 D.4.4, for condition B.

⁶Tabulated values for steel strength in shear must be used for design. The tabulated values for the shear stress area are listed conservatively and the results for the steel strength will be more conservative when using ACI 318-14 Eq. 17.5.1.2b or ACI 318-11 Eq. D-29, as applicable.

⁷Anchors are permitted to be used in lightweight concrete in accordance with Section 4.1.12 of this report.

⁸Tabulated values for steel strength in shear are for seismic applications and based on test results in accordance with ACI 355.2, Section 9.6.

TABLE 5—EXAMPLE ALLOWABLE STRESS DESIGN VALUES FOR ILLUSTRATIVE PURPOSES^{1,2,3,4,5,6,7,8,9}

Anchor Diameter (inches)	Nominal Embedment Depth (inches)	Effective Embedment (inches)	Allowable Tension Load (pounds)
¹ / ₂	3 ¹ / ₄	2 ⁵ / ₈	2,520
⁵ / ₈	3 ³ / ₄	3	3,080
³ / ₄	4 ³ / ₈	3 ¹ / ₂	3,450

For **SI**: 1 inch = 25.4 mm, 1 lbf = 4.45 N.

¹Single anchor with static tension load only.

²Concrete determined to remain uncracked for the life of the anchorage.

³Load combinations are taken from ACI 318-14 Section 5.3 or ACI 318-11 Section 9.2, as applicable, (no seismic loading).

⁴30% dead load and 70% live load, controlling load combination 1.2D + 1.6L.

⁵Calculation of weighted average for conversion factor $\alpha = 1.2(0.3) + 1.6(0.7) = 1.48$.

⁶ $f'_c = 2,500$ psi (normal weight concrete).

⁷ $C_{a1} = C_{a2} \geq C_{ac}$.

⁸ $h \geq h_{min}$.

⁹Values are for Condition B where supplementary reinforcement in accordance with ACI 318-14 17.3.3 or ACI 318-11 D.4.3, as applicable, is not provided.

ICC-ES Evaluation Report

ESR-3260 LABC and LARC Supplement

Issued August 2017

This report is subject to renewal November 2017.

www.icc-es.org | (800) 423-6587 | (562) 699-0543 A Subsidiary of the International Code Council®

DIVISION: 03 00 00—CONCRETE

Section: 03 16 00—Concrete Anchors

DIVISION: 05 00 00—METALS

Section: 05 05 19—Post-Installed Concrete Anchors

REPORT HOLDER:

DEWALT

701 EAST JOPPA ROAD
TOWSON, MARYLAND 21286

(800) 524-3244

www.dewalt.com

anchors@dewalt.com

EVALUATION SUBJECT:

POWER-BOLT®+ HEAVY DUTY SLEEVE ANCHORS FOR CRACKED AND UNCRACKED CONCRETE (DEWALT / POWERS)

1.0 REPORT PURPOSE AND SCOPE

Purpose:

The purpose of this evaluation report supplement is to indicate that Power-Bolt+ Heavy Duty Sleeve Anchors for cracked and uncracked concrete, described in ICC-ES master evaluation report [ESR-3260](#), have also been evaluated for compliance with the codes noted below as adopted by the Los Angeles Department of Building and Safety (LADBS).

Applicable code editions:

- 2017 *City of Los Angeles Building Code* (LABC)
- 2017 *City of Los Angeles Residential Code* (LARC)

2.0 CONCLUSIONS

The Power-Bolt+ Heavy Duty Sleeve Anchors for cracked and uncracked concrete, described in Sections 2.0 through 7.0 of the master evaluation report [ESR-3260](#), comply with LABC Chapter 19, and LARC, and are subjected to the conditions of use described in this supplement.

3.0 CONDITIONS OF USE

The Power-Bolt+ Heavy Duty Sleeve Anchors described in this evaluation report must comply with all of the following conditions:

- All applicable sections in the master evaluation report [ESR-3260](#).
- The design, installation, conditions of use and identification of the anchors are in accordance with the 2015 *International Building Code*® (2015 IBC) provisions noted in the master evaluation report [ESR-3260](#).
- The design, installation and inspection are in accordance with additional requirements of LABC Chapters 16 and 17, as applicable.
- Under the LARC, an engineered design in accordance with LARC Section R301.1.3 must be submitted.
- The allowable and strength design values listed in the master evaluation report and tables are for the connection of the anchors to the concrete. The connection between the anchors and the connected members shall be checked for capacity (which may govern).

This supplement expires concurrently with the master report, reissued November 2016 and revised August 2017.